

# Dival 700

Medium - Low Pressure Gas Regulator



INDUSTRIAL VALVE SOLUTION

**MIX FLOW**

Grupa Baltina [www.mixflow.com.pl](http://www.mixflow.com.pl)

**MIXFLOW – ENERGY**

PL 80 – 314 Gdańsk,

Al. Grunwaldzka 303

Tel: +48 58 676 55 39

[info@mixflow.com.pl](mailto:info@mixflow.com.pl)



**TECHNICAL BROCHURE**

**Pietro Fiorentini S.p.A.**

Via E.Fermi, 8/10 | 36057 Arcugnano, Italy | +39 0444 968 511  
sales@fiorentini.com

The data are not binding. We reserve the right  
to make changes without prior notice.

dival700\_technicalbrochure\_ENG\_revB

**[www.fiorentini.com](http://www.fiorentini.com)**

# Who we are

We are a global organization that specializes in designing and manufacturing technologically advanced solutions for natural gas treatment, transmission and distribution systems.

We are the ideal partner for operators in the Oil & Gas sector, with a business solutions that span the whole natural gas chain.

We are constantly evolving to meet our customers' highest expectations in terms of quality and reliability.

Our aim is to be a step ahead of the competition, with customized technologies and an after-sale service program undertaken with the highest level of professionalism.



## Pietro Fiorentini advantages



Localised technical support



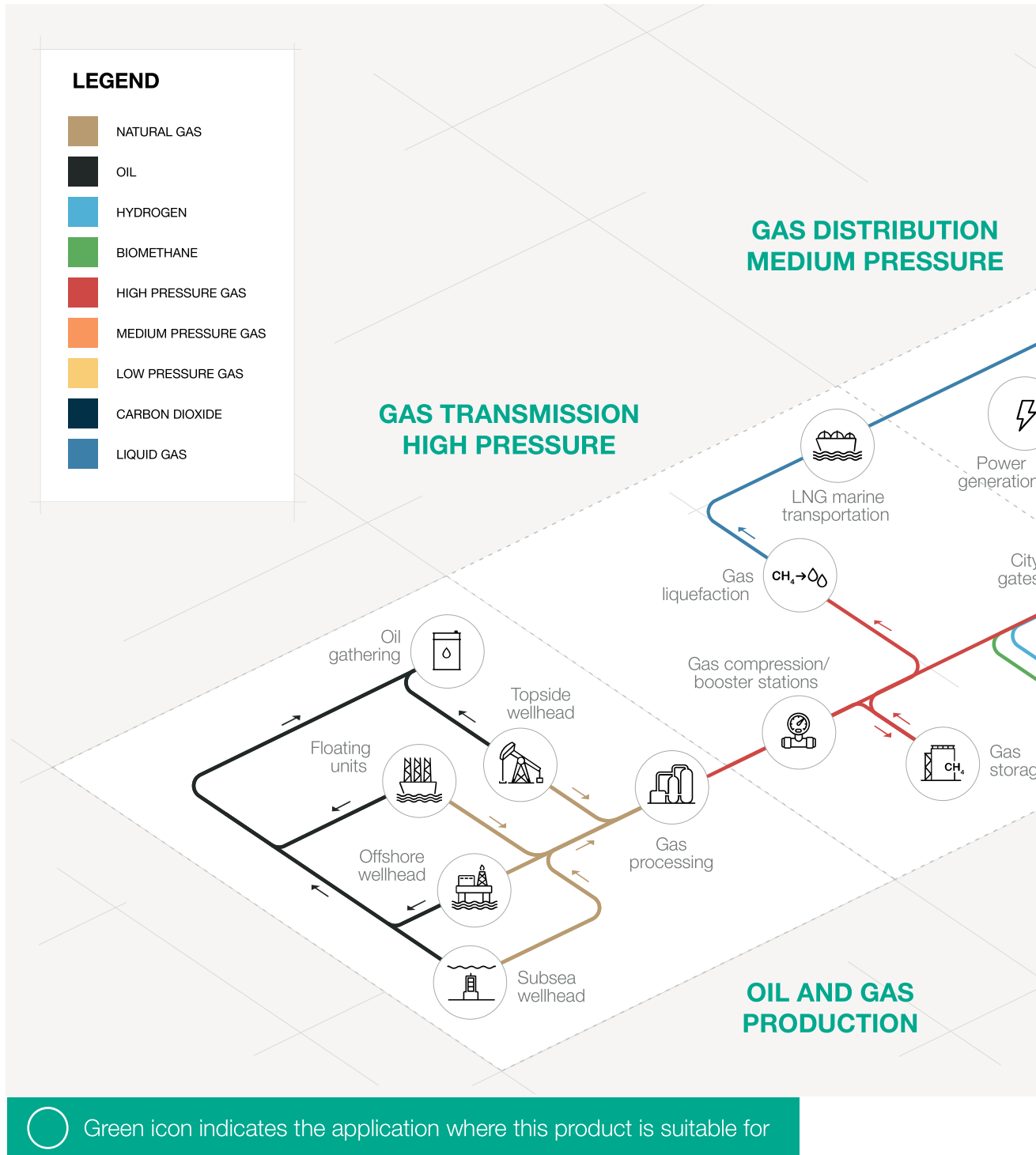
Experience since 1940



Operating in over 100 countries



# Area of Application





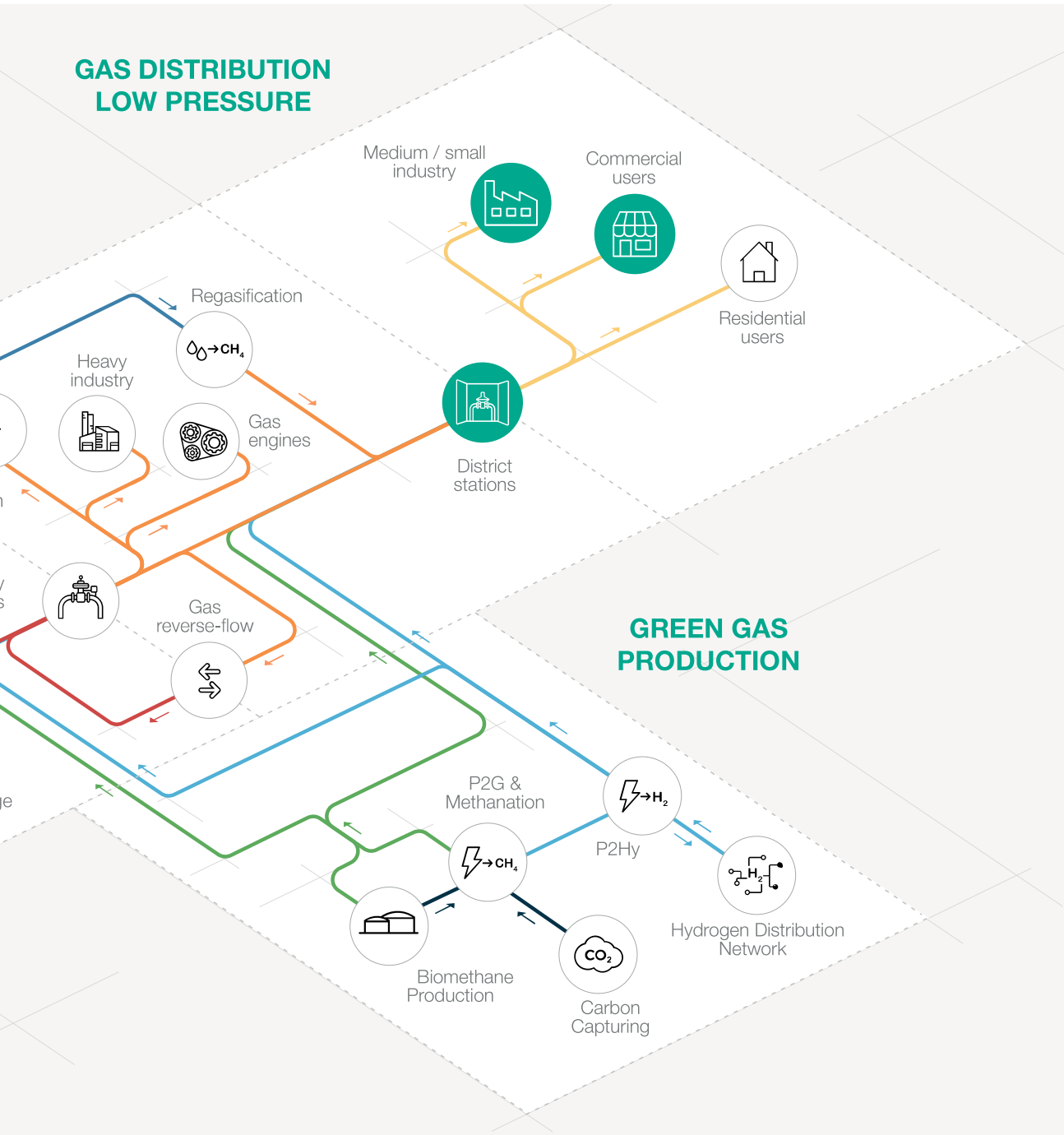


Figure 1 Area of Application Map



# Introduction

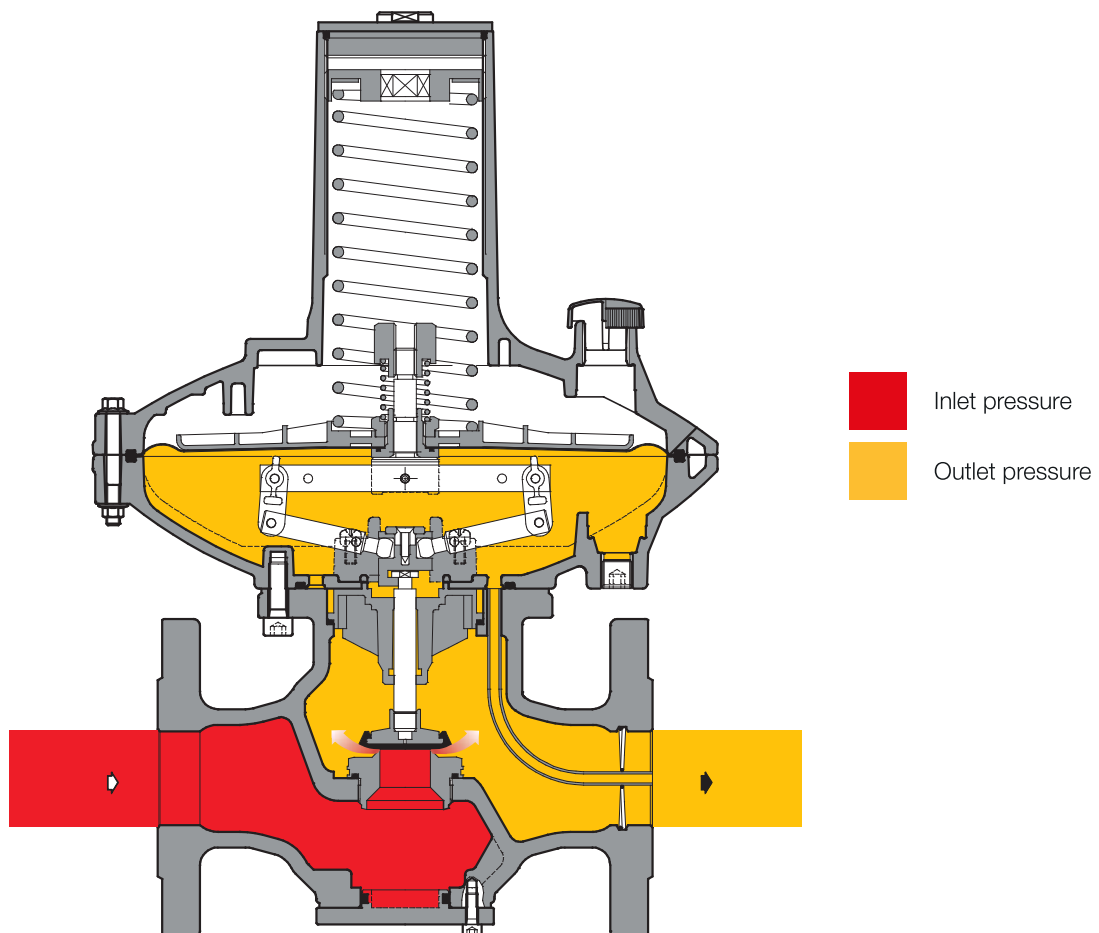
The **Dival 700** by Pietro Fiorentini is a **lever-operated** gas pressure regulator controlled by a diaphragm and contrasting regulated spring action.

Mainly used for medium and low pressure natural gas distribution networks, as well as commercial and industrial applications.

It should to be used with previously filtered non-corrosive gases.

According to the European Standard EN 334, it is classified as **Fail Open**.

The Dival 700 is **Hydrogen Ready** for NG-H2 blending.



**Figure 2** Dival 700

# Features and Calibration ranges

The **Dival 700** is a **lever-operated** device for medium and low pressure.

This regulator is suitable for use with previously filtered, non-corrosive gases and distribution networks as well as high load industrial applications.

It is a **truly top entry design** which allows an **easy maintenance** of parts directly in the field **without removing the body from the pipework.**

Set point adjustment of the regulator is operated via a spring located in the top chamber.

The modular design of the Dival 700 pressure regulators allows to install built-in slam shut valve LA.



## Dival 700 competitive advantages

- Operates with low differential pressure
- High accuracy
- Fail Open
- Token IRV
- Internal sensing line
- Top Entry
- Easy maintenance
- Built-in accessories
- Biomethane compatible and 20% Hydrogen blending compatible. Higher blending available on request

## Features

Features	Values
Design pressure* (PS <sup>1</sup> / DP <sup>2</sup> )	up to 2 MPa up to 20 bar
Ambient temperature* (TS <sup>1</sup> )**	from -20 °C to +60 °C from -4 °F to +140 °F
Inlet gas temperature*,***	from -20 °C to +60 °C from -4 °F to +140 °F
Inlet pressure (MAOP / p <sub>umax</sub> <sup>1</sup> )	from (Pd + 0.01) MPa to 0.86 MPa from (Pd + 0.1) bar to 8.63 bar (depending on the installed seat valve)
Range of downstream pressure (Wd <sup>1</sup> )	from 0.5 to 145.4 kPa from 5 to 1454 mbar
Available accessories	LA slam shut, relief valve and monitor version
Minimum operating differential pressure (Δp <sub>min</sub> <sup>1</sup> )	0.01 MPa   0.1 barg
Accuracy class (AC <sup>1</sup> )	up to 5   up to 1% absolute (depending on working conditions)
Lock-up pressure class (SG <sup>1</sup> )	up to 5 (depending on version and set point)
Nominal size (DN <sup>1,2</sup> )	DN 25   1"; DN 40   1" 1/2; DN 50   2";
Connections	<ul style="list-style-type: none"> <li>• Flanged class ANSI 150 RF according to ASME B16.5 and ASME B16.42</li> <li>• Class ANSI 125 FF according to ASME B16.1, PN 16 and 25 according to ISO 7005-1 and ISO 7005-2</li> <li>• Threaded Rp EN 10226-1, NPT ASME B1.20.1 (only for DN50   2")</li> </ul>

<sup>(1)</sup> according to EN334 standard

<sup>(2)</sup> according to ISO 23555-1 standard

<sup>(\*)</sup> NOTE: Different functional features and/or extended temperature ranges may be available on request. Stated inlet gas temperature range is the maximum for which the equipment's full performance, including accuracy is guaranteed. Product may have a different pressure or temperature ranges according to the version and/or installed accessories.

<sup>(\*\*)</sup> NOTE: Stated temperature range is the operating range for which the equipment's mechanical resistance and leakage rate are guaranteed. Some body materials, if multiple choices are available, may not be suitable for all the available versions shown.

<sup>(\*\*\*)</sup> NOTE: Stated temperature range is the range for which the equipment's full performance, including accuracy and lock-up are guaranteed. Some body materials, if multiple choices are available, may not be suitable for all the available versions shown.

**Table 1** Features

# Materials and Approvals

Part	Material
Body	<ul style="list-style-type: none"> <li>• Cast steel ASTM A216 WCB</li> <li>• Ductile cast iron GS 400-18 ISO 1083</li> </ul>
Cover	Die cast aluminium
Seat	Brass
Sealing ring	Nitril rubber

**NOTE:** The materials indicated above refer to the standard models. Different materials can be provided according to specific needs.

**Table 2** Materials

## Construction Standards and Approvals

The **Dival 700** regulator is designed according to the European standard EN 334. The regulator reacts in opening (Fail Open) according to EN 334.

The product is certified according to European Directive 2014/68/EU (PED). Leakage class: bubble tight, better than class VIII according to ANSI/FCI 70-3.



EN 334



PED-CE

# Springs ranges and control heads

Regulator		
Head	Seat	
Ø 280	1/4"	0.5 ÷ 37.2 kPa 5 ÷ 372 mbar
	3/8"	0.6 ÷ 38 kPa 6 ÷ 380 mbar
	1/2"	0.7 ÷ 38.6 kPa 7 ÷ 386 mbar
	3/4"	1 ÷ 39.5 kPa 10 ÷ 395 mbar
	1"	1.3 ÷ 40.1 kPa 13 ÷ 401 mbar
	1" 1/4	1.6 ÷ 40.4 kPa 16 ÷ 404 mbar
Ø 280/TR	1/4"	16.4 ÷ 139.1 kPa 164 ÷ 1391 mbar
	3/8"	17 ÷ 140.2 kPa 170 ÷ 1402 mbar
	1/2"	18.8 ÷ 140.2 kPa 188 ÷ 1402 mbar
	3/4"	20.7 ÷ 141.2 kPa 207 ÷ 1412 mbar
	1"	25.9 ÷ 143 kPa 259 ÷ 1430 mbar
	1" 1/4	26.1 ÷ 145.4 kPa 261 ÷ 1454 mbar

**Table 3** Control heads calibration range

General link to the calibration tables: [PRESS HERE](#) or use the QR code:



# Maximum allowable operating pressure

Design pressure ( $p_s$ according to EN334)				
Version	Body		Slam shut	
	MPa	barg	MPa	barg
PN16 Steel body	1.60	16	2.00	20
PN16 Cast Iron body	1.60	16	2.00	20
#150 Steel body	1.89	18.9	2.00	20
#150 Cast Iron body	1.70	17	2.00	20
Threaded Cast Iron body	2.00	20	2.00	20

**Table 4** Design pressure of body and slam shut

Design pressure ( $p_s$ according to EN334)				
Parts	Control head			
	BP/MP		TR	
	MPa	barg	MPa	barg
Cover	2.00	20	2.00	20
Diaphragm	0.08	0.808	0.28	2.8
Max Diaphragm $\Delta p$	0.05	0.537	0.18	1.862

**Table 5** Design pressure of control heads

MAOP Maximum Allowable Operating Pressure ( $p_{umax}$ according to EN334)			
	Orifice	Control head	
		All versions	
		MPa	barg
WITH / WITHOUT CE MARKING	1/4"	0.86	8.63
	3/8"	0.86	8.63
	1/2"	0.86	8.63
	3/4"	0.50	5
	1"	0.34	3.45
	1" 1/4	0.20	2.07

**Table 6** MAOP Maximum Allowable Operating Pressure with/without CE marking



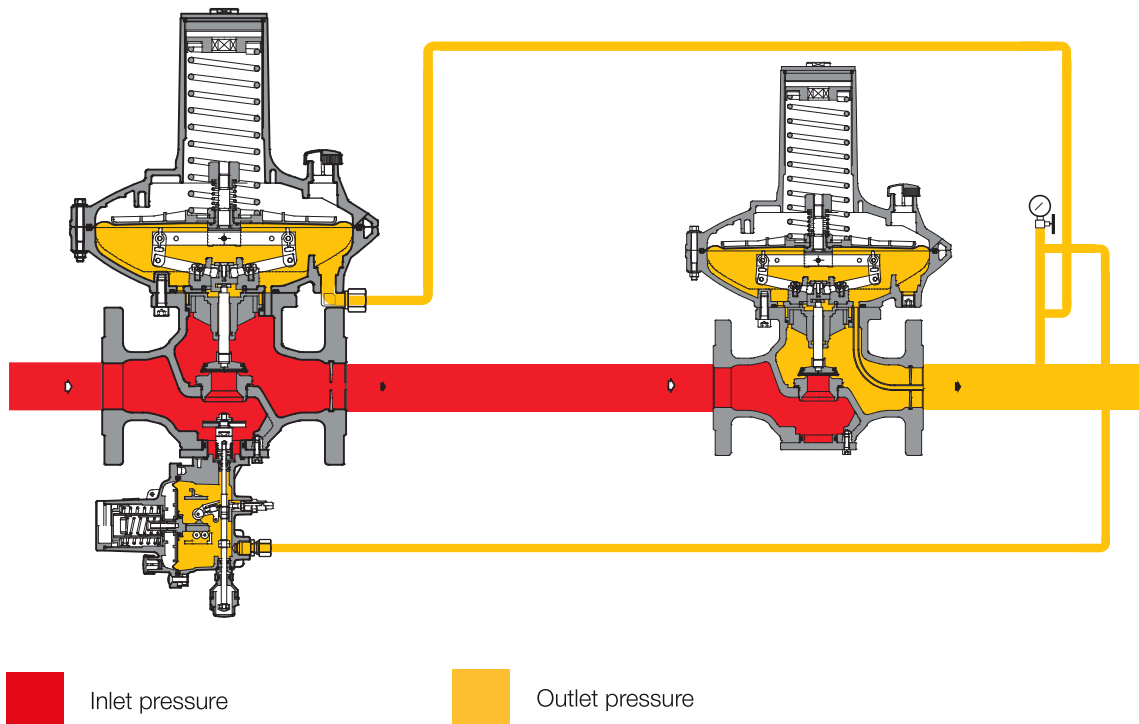
# Accessories

## For the pressure regulators:

- Slam shut valve
- Relief valve

## Monitor configuration

The in-line monitor is generally installed upstream of the active regulator. Although the function of the monitor regulator is different, the two regulators are virtually identical from the point of view of their mechanical components. The only difference is that monitor is set at a higher pressure than active regulator. The  $C_g$  coefficients of the worker regulator with an in-line monitor is the same, but during worker regulator sizing it shall be considered the differential pressure drop generated by the fully open in-line monitor. As a practice, to incorporate this effect a  $C_g$  reduction of 20% of the worker regulator can be applied.



**Figure 3** Dival 700 in-line monitor









## Slam Shut LA

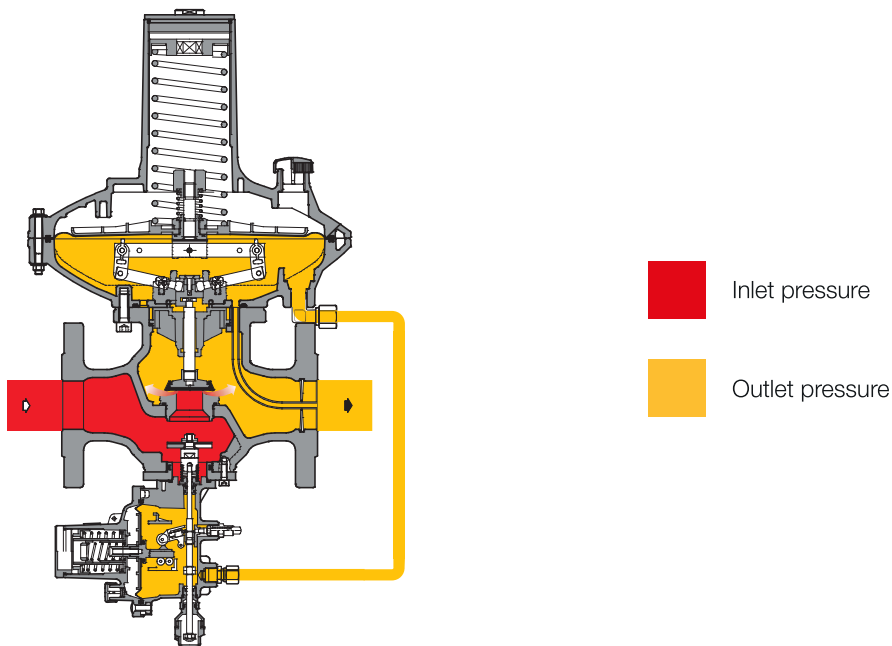
The Dival 700 pressure regulator offers the possibility of installing an **incorporated LA slam shut valve**, depending on the regulator size, and this can be done either during the manufacturing process or be retrofitted in the field.

LA is available for all sizes.

**Retrofitting the LA can be done without modifying** the pressure regulator assembly. With the built-in slam shut, the Cg valve coefficients is 5% lower than the corresponding version without.

The main characteristics of this device are:

- |   |  |
|---|--|
|  OPSO Overpressure Shut-Off      |  Compact dimensions       |
|  UPSO Underpressure Shut-Off    |  Easy maintenance        |
|  Internal by-pass              |  Remote tripping option |
|  Push button for tripping test |  Limit switch option    |



**Figure 4** Dival 700 with LA



Pressure switch types and ranges					
SSV Type	Model	Operation	Range Wh		Spring Table web link
			KPa	mbarg	
LA	BP	OPSO	3 - 18	30 - 180	<a href="#">TT 00214</a>
		UPSO	0.6 - 6	6 - 60	
LA	MP	OPSO	14 - 45	140 - 450	<a href="#">TT 00214</a>
		UPSO	1 - 24	10 - 240	
LA	TR	OPSO	25 - 550	250 - 5500	<a href="#">TT 00214</a>
		UPSO	10 - 350	100 - 3500	

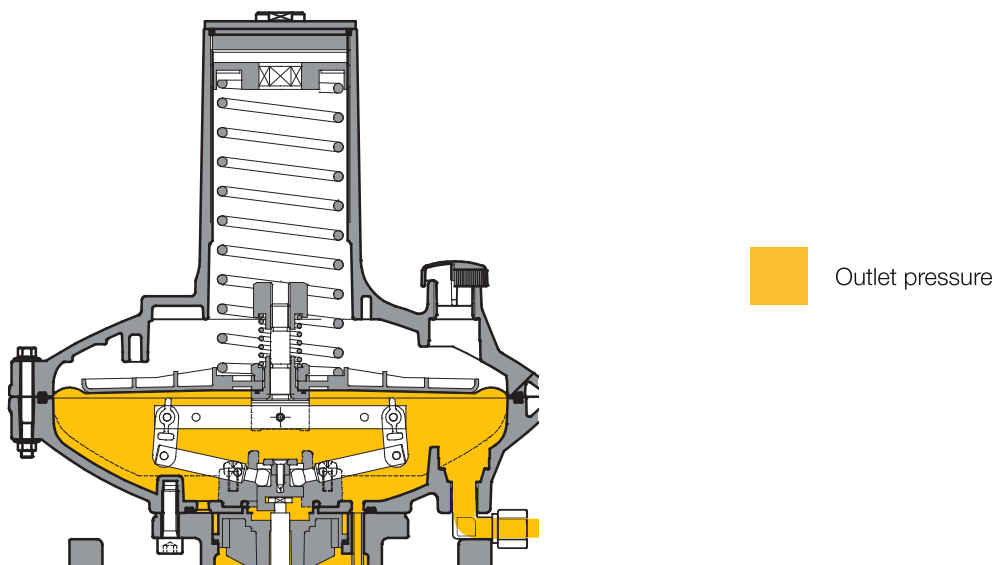
**Table 7** Settings table

## Relief valve

The Dival 700 series can be equipped with an incorporated internal relief valve (IRV) that discharges a limited amount of gas into the atmosphere when the regulator outlet pressure exceeds the set value. The typical triggering events are:

- Thermal expansion of the downstream gas at zero flow condition (during lock-up).
- Pressure peaks caused by sudden closing of downstream appliances or in the event of small downstream buffer volume.

When the outlet pressure returns below the set value, the relief valve closes again.



**Figure 5** Dival 700 relief valve

# Weights and Dimensions

## Dival 700

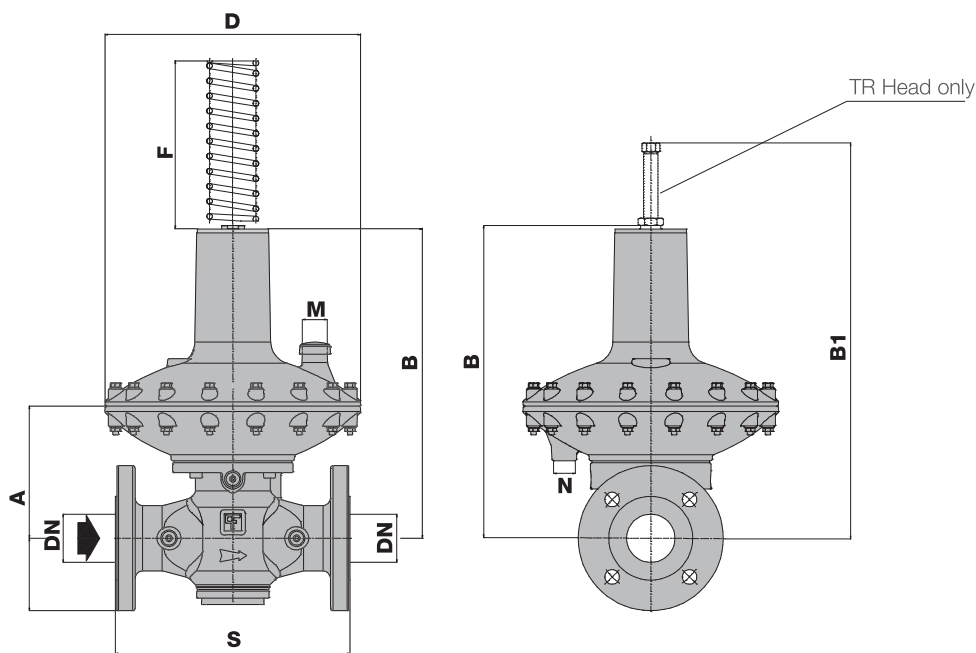


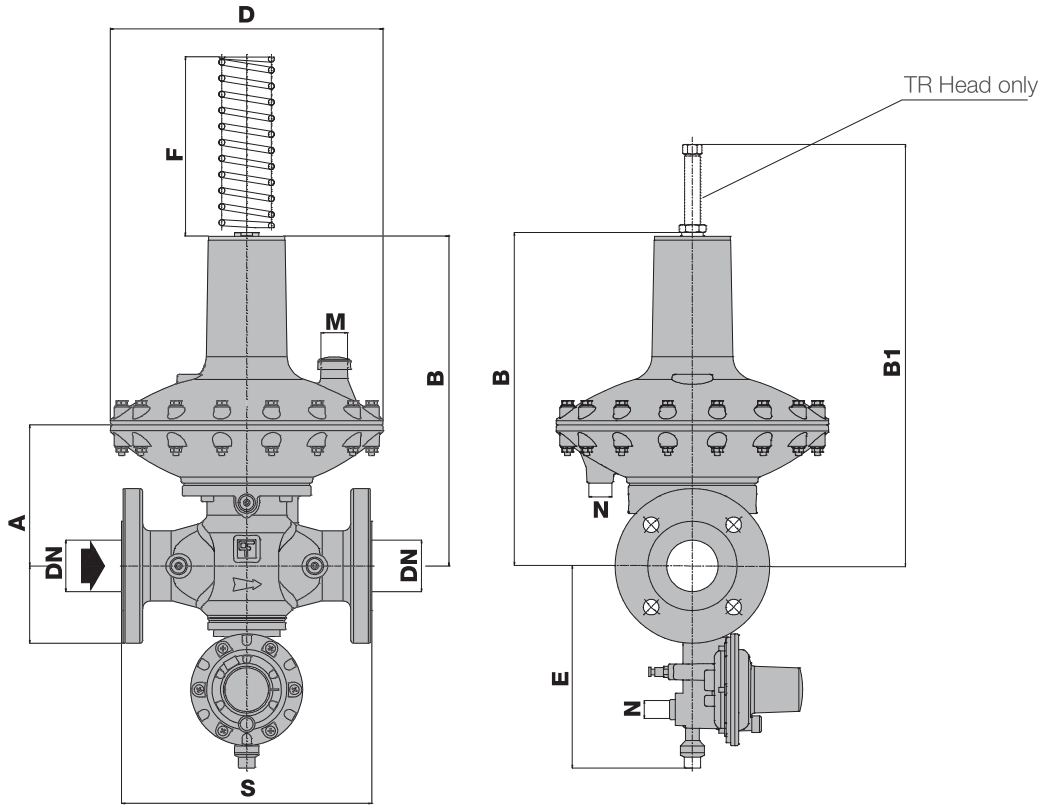
Figure 6 Dival 700 dimensions

Weights and Dimensions (for other connections please contact your closest Pietro Fiorentini representative)								
Size (DN) - [mm]	25		40		50		50	
Size (DN) - inches	1"		1" 1/2		2"		Rp 2"x2"	
	[mm]	inches	[mm]	inches	[mm]	inches	[mm]	inches
S	183	7.2"	223	8.8"	254	10"	152.4	6"
A	145	5.7"	145	5.7"	145	5.7"	145	5.7"
B	343	13.5"	343	13.5"	343	13.5"	343	13.5"
B1	433	17.0"	433	17.0"	433	17.0"	433	17.0"
D	280	11.0"	280	11.0"	280	11.0"	280	11.0"
F	200	7.9"	200	7.9"	200	7.9"	200	7.9"
M	1/2" Rp		1/2" Rp		1/2" Rp		1/2" Rp	
Tube Connections	Øe 10 x Øi 8 (on request imperial sizing)							
Weight	Kg	lbs	Kg	lbs	Kg	lbs	Kg	lbs
	15	33	17	38	20	44	18	40

Table 8 Weights and dimensions



# Dival 700 + LA



**Figure 7** Dival 700 with LA slam shut dimensions

Weights and Dimensions (for other connections please contact your closest Pietro Fiorentini representative)								
Size (DN) - [mm] Size (DN) - inches	25 1"		40 1" 1/2		50 2"		50 Rp 2"x2"	
	[mm]	inches	[mm]	inches	[mm]	inches	[mm]	inches
S	183	7.2"	223	8.8"	254	10"	152.4	6"
A	145	5.7"	145	5.7"	145	5.7"	145	5.7"
B	343	13.5"	343	13.5"	343	13.5"	343	13.5"
B1	433	17.0"	433	17.0"	433	17.0"	433	17.0"
D	280	11.0"	280	11.0"	280	11.0"	280	11.0"
E	215	8.5"	215	8.5"	215	8.5"	215	8.5"
F	200	7.9"	200	7.9"	200	7.9"	200	7.9"
M	1/2" Rp		1/2" Rp		1/2" Rp		1/2" Rp	
N	1/4" Rp		1/4" Rp		1/4" Rp		1/4" Rp	
Tube Connections	Øe 10 x Øi 8 (on request imperial sizing)							
Weight	Kg	lbs	Kg	lbs	Kg	lbs	Kg	lbs
	16	35.3	18	40	21	46.3	19	42

**Table 9** Weights and dimensions

# Sizing and Cg

In general, the choice of a regulator is made based on the calculation of the flow rate determined by the use of formulae using the flow rate coefficients (Cg) and the form factor (K1) as indicated by the EN 334 standard. Sizing is available through the on-line Pietro Fiorentini sizing program.

## Flow rate coefficient 1" | DN25

Type	Seat	6.5	9.5	12.7	19	25	32
BP/MP	Cg	50	92	161	253	-	-
	K1	98	91	97	93	-	-
TR	Cg	50	93	180	317	-	-
	K1	98	91	97	93	-	-

**Table 10** Flow rate coefficient

## Flow rate coefficient 1" 1/2 | DN40

Type	Seat	6.5	9.5	12.7	19	25	32
BP/MP	Cg	50	107	141	158	332	393
	K1	119	101	94	96	102	91
TR	Cg	50	107	170	307	429	530
	K1	119	101	94	91	85	85

**Table 11** Flow rate coefficient

## Flow rate coefficient 2" | DN50

Type	Seat	6.5	9.5	12.7	19	25	32
BP/MP	Cg	50	107	151	171	346	440
	K1	115	101	93	89	86	86
TR	Cg	50	109	179	320	447	570
	K1	115	104	93	89	86	86

**Table 12** Flow rate coefficient



For sizing [PRESS HERE](#) or use the QR code:



**Note:** In case you do not have the proper credentials to access, feel free to contact your closest Pietro Fiorentini representative.

In general the on-line sizing considers multiple variables as the regulator is installed in a system, enabling a better and multiperspective approach to the sizing.

For different gases, and for natural gas with a different relative density other than 0.61 (compared to air), the correction coefficients from the following formula shall be applied.

$$F_c = \sqrt{\frac{175.8}{S \times (273.16 + T)}}$$

S = relative density (refer to Table 13)  
T = gas temperature ( °C )

$$F_c = \sqrt{\frac{316.44}{S \times (459.67 + T)}}$$

S = relative density (refer to Table 13)  
T = gas temperature ( °F )

Correction Factor Fc		
Gas Type	Relative Density S	Correction Factor Fc
Air	1.00	0.78
Propane	1.53	0.63
Butane	2.00	0.55
Nitrogen	0.97	0.79
Oxygen	1.14	0.73
Carbon Dioxide	1.52	0.63

Note: the table shows the Fc correction factors valid for Gas, calculated at a temperature of 15°C and at the declared relative density.

**Table 13** Correction Factor Fc



### Flow rate conversion

$$\text{Stm}^3/\text{h} \times 0.94795 = \text{Nm}^3/\text{h}$$

Nm<sup>3</sup>/h reference conditions:

T= 0 °C; P= 1 barg | T= 32 °F; P= 14.5 psig

Stm<sup>3</sup>/h reference conditions:

T= 15 °C; P= 1 barg | T= 59 °F; P= 14.5 psig

**Table 14** Flow rate conversion

#### CAUTION:

In order to get optimal performance, to avoid premature wear on the regulators components, and to limit noise emissions, it is recommended to check the gas speed and its compliance with local practice and regulations. The gas speed at the outlet flange of the regulator which be calculated by the following formula:

$$V = 345.92 \times \frac{Q}{\text{DN}^2} \times \frac{1 - 0.002 \times \text{Pd}}{1 + \text{Pd}}$$

$$V = 0.0498 \times \frac{Q}{\text{DN}^2} \times \frac{14.504 - 0.002 \times \text{Pd}}{14.504 + \text{Pd}}$$

V = gas speed in m/s

Q = gas flow rate in Stm<sup>3</sup>/h

DN = nominal size of regular in mm

Pd = outlet pressure in barg

V = gas speed in ft/s

Q = gas flow rate in Scfh

DN = nominal size of regular in inches

Pd = outlet pressure in psi



# Flow capacity tables

## Dival 700 1/4 BP - DN 1"

From 2 kPa [20 mbarg] to 34 kPa [340 mbarg]

Dival 700 1/4 BP - (accuracy 10% ; AC10 according to EN334)

Inlet pressure		Outlet pressure									
		2 kPa / 20 mbarg		5 kPa / 50 mbarg		10 kPa / 100 mbarg		20 kPa / 200 mbarg		34 kPa / 340 mbarg	
MPa	barg	Stm³/h	Scfh	Stm³/h	Scfh	Stm³/h	Scfh	Stm³/h	Scfh	Stm³/h	Scfh
0.05	0.5	30	1100	30	1100	30	1100	30	1100	25	900
0.10	1.0	45	1600	45	1600	45	1600	43	1600	40	1500
0.20	2.0	73	2600	73	2600	73	2600	73	2600	72	2600
0.30	3.0	100	3600	100	3600	95	3400	100	3600	100	3600
0.45	4.5	129	4600	137	4900	139	5000	139	5000	139	5000
0.60	6.0	149	5300	179	6400	179	6400	179	6400	179	6400
0.85	8.5	83	3000	98	3500	122	4400	165	5900	226	8000

Cg = 50 K1 = 98

Table 15 Dival 700 1/4 BP flow rate with outlet pressure from 2 kPa | 20 mbarg up to 34 kPa | 340 mbarg

## Dival 700 1/4 BP - DN 1"1/2

From 2 kPa [20 mbarg] to 34 kPa [340 mbarg]

Dival 700 1/4 BP - (accuracy 10% ; AC10 according to EN334)

Inlet pressure		Outlet pressure									
		2 kPa / 20 mbarg		5 kPa / 50 mbarg		10 kPa / 100 mbarg		20 kPa / 200 mbarg		34 kPa / 340 mbarg	
MPa	barg	Stm³/h	Scfh	Stm³/h	Scfh	Stm³/h	Scfh	Stm³/h	Scfh	Stm³/h	Scfh
0.05	0.5	30	1100	30	1100	30	1100	28	1000	25	900
0.10	1.0	45	1600	45	1600	45	1600	43	1600	40	1500
0.20	2.0	73	2600	73	2600	73	2600	73	2600	72	2600
0.30	3.0	100	3600	100	3600	100	3600	100	3600	100	3600
0.45	4.5	139	5000	139	5000	139	5000	139	5000	139	5000
0.60	6.0	179	6400	179	6400	179	6400	175	6200	162	5800
0.85	8.5	226	8000	226	8000	226	8000	225	8000	225	8000

Cg = 50 K1 = 119

Table 16 Dival 700 1/4 BP flow rate with outlet pressure from 2 kPa | 20 mbarg up to 34 kPa | 340 mbarg

**Note:** Recommended max flow rate are considering multiple factors such as: extend the regulator's life, mitigate the erosion/vibrations for high velocity and to minimize the noise emission.

**Remark:** all capacity stated are considering a stand alone regulator. In case of incorporated accessories a reduction of flow shall be considered.

## Dival 700 1/4 BP - DN 2"

From 2 kPa [20 mbarg] to 34 kPa [340 mbarg]

Dival 700 1/4 BP - (accuracy 10% ; AC10 according to EN334)											
Inlet pressure		Outlet pressure									
		2 kPa / 20 mbarg		5 kPa / 50 mbarg		10 kPa / 100 mbarg		20 kPa / 200 mbarg		34 kPa / 340 mbarg	
MPa	barg	Stm <sup>3</sup> /h	Scfh	Stm <sup>3</sup> /h	Scfh	Stm <sup>3</sup> /h	Scfh	Stm <sup>3</sup> /h	Scfh	Stm <sup>3</sup> /h	Scfh
0.05	0.5	30	1100	30	1100	30	1100	32	1200	35	1300
0.10	1.0	45	1600	57	2100	45	1600	43	1600	40	1500
0.20	2.0	73	2600	73	2600	73	2600	73	2600	72	2600
0.30	3.0	100	3600	100	3600	100	3600	100	3600	100	3600
0.45	4.5	139	5000	139	5000	139	5000	139	5000	139	5000
0.60	6.0	179	6400	179	6400	179	6400	179	6400	179	6400
0.85	8.5	226	8000	226	8000	226	8000	226	8000	226	8000

Cg = 50    K1= 115

**Table 17** Dival 700 1/4 BP flow rate with outlet pressure from 2 kPa | 20 mbarg up to 34 kPa | 340 mbarg

## Dival 700 3/8 BP - DN 1"

From 2 kPa [20 mbarg] to 34 kPa [340 mbarg]

Dival 700 3/8 BP - (accuracy 10% ; AC10 according to EN334)											
Inlet pressure		Outlet pressure									
		2 kPa / 20 mbarg		5 kPa / 50 mbarg		10 kPa / 100 mbarg		20 kPa / 200 mbarg		34 kPa / 340 mbarg	
MPa	barg	Stm <sup>3</sup> /h	Scfh	Stm <sup>3</sup> /h	Scfh	Stm <sup>3</sup> /h	Scfh	Stm <sup>3</sup> /h	Scfh	Stm <sup>3</sup> /h	Scfh
0.05	0.5	55	2000	55	2000	60	2200	60	2200	51	1900
0.10	1.0	90	3200	90	3200	90	3200	97	3500	104	3700
0.20	2.0	136	4900	118	4200	128	4600	136	4900	135	4800
0.30	3.0	140	5000	130	4600	149	5300	157	5600	178	6300
0.45	4.5	139	5000	179	6400	189	6700	227	8100	249	8800
0.60	6.0	149	5300	199	7100	199	7100	253	9000	318	11300
0.85	8.5	83	3000	128	4600	198	7000	312	11100	412	14600

Cg = 92    K1= 91

**Table 18** Dival 700 3/8 BP flow rate with outlet pressure from 2 kPa | 20 mbarg up to 34 kPa | 340 mbarg

**Note:** Recommended max flow rate are considering multiple factors such as: extend the regulator's life, mitigate the erosion/vibrations for high velocity and to minimize the noise emission.

**Remark:** all capacity stated are considering a stand alone regulator. In case of incorporated accessories a reduction of flow shall be considered.



## Dival 700 3/8 BP - DN 1"1/2

From 2 kPa [20 mbarg] to 34 kPa [340 mbarg]

Dival 700 3/8 BP - (accuracy 10% ; AC10 according to EN334)											
Inlet pressure		Outlet pressure									
		2 kPa / 20 mbarg		5 kPa / 50 mbarg		10 kPa / 100 mbarg		20 kPa / 200 mbarg		34 kPa / 340 mbarg	
MPa	barg	Stm³/h	Scfh	Stm³/h	Scfh	Stm³/h	Scfh	Stm³/h	Scfh	Stm³/h	Scfh
0.05	0.5	59	2100	56	2000	50	1800	49	1800	55	2000
0.10	1.0	100	3600	100	3600	100	3600	96	3400	90	3200
0.20	2.0	148	5300	148	5300	147	5200	147	5200	146	5200
0.30	3.0	199	7100	199	7100	199	7100	199	7100	199	7100
0.45	4.5	294	10400	308	10900	284	10100	290	10300	275	9800
0.60	6.0	355	12600	374	13300	378	13400	378	13400	378	13400
0.85	8.5	377	13400	414	14700	471	16700	471	16700	471	16700

Cg = 107    K1= 101

**Table 19** Dival 700 3/8 BP flow rate with outlet pressure from 2 kPa | 20 mbarg up to 34 kPa | 340 mbarg

## Dival 700 3/8 BP - DN 2"

From 2 kPa [20 mbarg] to 34 kPa [340 mbarg]

Dival 700 3/8 BP - (accuracy 10% ; AC10 according to EN334)											
Inlet pressure		Outlet pressure									
		2 kPa / 20 mbarg		5 kPa / 50 mbarg		10 kPa / 100 mbarg		20 kPa / 200 mbarg		34 kPa / 340 mbarg	
MPa	barg	Stm³/h	Scfh	Stm³/h	Scfh	Stm³/h	Scfh	Stm³/h	Scfh	Stm³/h	Scfh
0.05	0.5	90	3200	89	3200	60	2200	64	2300	55	2000
0.10	1.0	100	3600	100	3600	100	3600	96	3400	90	3200
0.20	2.0	148	5300	148	5300	148	5300	147	5200	146	5200
0.30	3.0	219	7800	219	7800	219	7800	219	7800	219	7800
0.45	4.5	294	10400	303	10700	284	10100	297	10500	275	9800
0.60	6.0	378	13400	412	14600	378	13400	378	13400	378	13400
0.85	8.5	471	16700	473	16800	471	16700	471	16700	471	16700

Cg = 107    K1= 101

**Table 20** Dival 700 3/8 BP flow rate with outlet pressure from 2 kPa | 20 mbarg up to 34 kPa | 340 mbarg

**Note:** Recommended max flow rate are considering multiple factors such as: extend the regulator's life, mitigate the erosion/vibrations for high velocity and to minimize the noise emission.

**Remark:** all capacity stated are considering a stand alone regulator. In case of incorporated accessories a reduction of flow shall be considered.

## Dival 700 1/2 BP - DN 1"

From 2 kPa [20 mbarg] to 34 kPa [340 mbarg]

Dival 700 1/2 BP - (accuracy 10% ; AC10 according to EN334)											
Inlet pressure		Outlet pressure									
		2 kPa / 20 mbarg		5 kPa / 50 mbarg		10 kPa / 100 mbarg		20 kPa / 200 mbarg		34 kPa / 340 mbarg	
MPa	barg	Stm <sup>3</sup> /h	Scfh	Stm <sup>3</sup> /h	Scfh	Stm <sup>3</sup> /h	Scfh	Stm <sup>3</sup> /h	Scfh	Stm <sup>3</sup> /h	Scfh
0.05	0.5	95	3400	80	2900	85	3100	85	3100	72	2600
0.10	1.0	105	3800	110	3900	120	4300	130	4600	139	5000
0.20	2.0	172	6100	156	5600	167	5900	179	6400	237	8400
0.30	3.0	189	6700	164	5800	179	6400	187	6700	323	11500
0.45	4.5	199	7100	204	7300	206	7300	301	10700	446	15800
0.60	6.0	199	7100	199	7100	229	8100	327	11600	538	19000
0.85	8.5	198	7000	198	7000	228	8100	356	12600	580	20500

Cg = 161 K1= 97

**Table 21** Dival 700 1/2 BP flow rate with outlet pressure from 2 kPa | 20 mbarg up to 34 kPa | 340 mbarg

## Dival 700 1/2 BP - DN 1"1/2

From 2 kPa [20 mbarg] to 34 kPa [340 mbarg]

Dival 700 1/2 BP - (accuracy 10% ; AC10 according to EN334)											
Inlet pressure		Outlet pressure									
		2 kPa / 20 mbarg		5 kPa / 50 mbarg		10 kPa / 100 mbarg		20 kPa / 200 mbarg		34 kPa / 340 mbarg	
MPa	barg	Stm <sup>3</sup> /h	Scfh	Stm <sup>3</sup> /h	Scfh	Stm <sup>3</sup> /h	Scfh	Stm <sup>3</sup> /h	Scfh	Stm <sup>3</sup> /h	Scfh
0.05	0.5	90	3200	83	3000	71	2600	66	2400	75	2700
0.10	1.0	165	5900	165	5900	165	5900	163	5800	133	4700
0.20	2.0	242	8600	239	8500	239	8500	244	8700	236	8400
0.30	3.0	269	9500	324	11500	329	11700	340	12100	260	9200
0.45	4.5	323	11500	367	13000	428	15200	456	16200	432	15300
0.60	6.0	397	14100	469	16600	507	18000	540	19100	547	19400
0.85	8.5	425	15100	494	17500	543	19200	599	21200	729	25800

Cg = 141 K1= 94

**Table 22** Dival 700 1/2 BP flow rate with outlet pressure from 2 kPa | 20 mbarg up to 34 kPa | 340 mbarg

**Note:** Recommended max flow rate are considering multiple factors such as: extend the regulator's life, mitigate the erosion/vibrations for high velocity and to minimize the noise emission.

**Remark:** all capacity stated are considering a stand alone regulator. In case of incorporated accessories a reduction of flow shall be considered.



## Dival 700 1/2 BP - DN 2"

From 2 kPa [20 mbarg] to 34 kPa [340 mbarg]

**Dival 700 1/2 BP** - (accuracy 10% ; AC10 according to EN334)

Inlet pressure		Outlet pressure									
		2 kPa / 20 mbarg		5 kPa / 50 mbarg		10 kPa / 100 mbarg		20 kPa / 200 mbarg		34 kPa / 340 mbarg	
MPa	barg	Stm <sup>3</sup> /h	Scfh	Stm <sup>3</sup> /h	Scfh	Stm <sup>3</sup> /h	Scfh	Stm <sup>3</sup> /h	Scfh	Stm <sup>3</sup> /h	Scfh
0.05	0.5	128	4600	125	4500	105	3800	80	2900	78	2800
0.10	1.0	170	6100	165	5900	165	5900	163	5800	133	4700
0.20	2.0	244	8700	244	8700	244	8700	244	8700	236	8400
0.30	3.0	269	9500	324	11500	329	11700	311	11000	249	8800
0.45	4.5	323	11500	378	13400	435	15400	459	16300	432	15300
0.60	6.0	397	14100	457	16200	507	18000	540	19100	547	19400
0.85	8.5	528	18700	532	18800	543	19200	611	21600	729	25800

Cg = 151    K1= 93

**Table 23** Dival 700 1/2 BP flow rate with outlet pressure from 2 kPa | 20 mbarg up to 34 kPa | 340 mbarg

## Dival 700 3/4 BP - DN 1"

From 2 kPa [20 mbarg] to 34 kPa [340 mbarg]

**Dival 700 3/4 BP** - (accuracy 10% ; AC10 according to EN334)

Inlet pressure		Outlet pressure									
		2 kPa / 20 mbarg		5 kPa / 50 mbarg		10 kPa / 100 mbarg		20 kPa / 200 mbarg		34 kPa / 340 mbarg	
MPa	barg	Stm <sup>3</sup> /h	Scfh	Stm <sup>3</sup> /h	Scfh	Stm <sup>3</sup> /h	Scfh	Stm <sup>3</sup> /h	Scfh	Stm <sup>3</sup> /h	Scfh
0.05	0.5	150	5300	110	3900	110	3900	124	4400	112	4000
0.10	1.0	200	7100	130	4600	140	5000	170	6100	205	7300
0.20	2.0	247	8800	220	7800	183	6500	230	8200	287	10200
0.25	2.5	258	9200	248	8800	196	7000	259	9200	317	11200
0.30	3.0	269	9500	269	9500	209	7400	288	10200	346	12300
0.40	4.0	299	10600	269	9500	219	7800	331	11700	423	15000
0.50	5.0	318	11300	269	9500	234	8300	336	11900	451	16000

Cg = 253    K1= 93

**Table 24** Dival 700 3/4 BP flow rate with outlet pressure from 2 kPa | 20 mbarg up to 34 kPa | 340 mbarg

**Note:** Recommended max flow rate are considering multiple factors such as: extend the regulator's life, mitigate the erosion/vibrations for high velocity and to minimize the noise emission.

**Remark:** all capacity stated are considering a stand alone regulator. In case of incorporated accessories a reduction of flow shall be considered.

## Dival 700 3/4 BP - DN 1"1/2

From 2 kPa [20 mbarg] to 34 kPa [340 mbarg]

Dival 700 1/2 BP - (accuracy 10% ; AC10 according to EN334)											
Inlet pressure		Outlet pressure									
		2 kPa / 20 mbarg		5 kPa / 50 mbarg		10 kPa / 100 mbarg		20 kPa / 200 mbarg		34 kPa / 340 mbarg	
MPa	barg	Stm <sup>3</sup> /h	Scfh	Stm <sup>3</sup> /h	Scfh	Stm <sup>3</sup> /h	Scfh	Stm <sup>3</sup> /h	Scfh	Stm <sup>3</sup> /h	Scfh
0.05	0.5	141	5000	134	4800	122	4400	118	4200	136	4900
0.10	1.0	181	6400	201	7100	234	8300	236	8400	209	7400
0.20	2.0	265	9400	294	10400	342	12100	364	12900	340	12100
0.25	2.5	312	11100	346	12300	390	13800	427	15100	395	14000
0.30	3.0	360	12800	400	14200	439	15600	490	17400	449	15900
0.40	4.0	352	12500	424	15000	508	18000	604	21400	718	25400
0.50	5.0	423	15000	509	18000	652	23100	734	26000	863	30500

Cg = 158 K1= 96

**Table 25** Dival 700 3/4 BP flow rate with outlet pressure from 2 kPa | 20 mbarg up to 34 kPa | 340 mbarg

## Dival 700 3/4 BP - DN 2"

From 2 kPa [20 mbarg] to 34 kPa [340 mbarg]

Dival 700 3/4 BP - (accuracy 10% ; AC10 according to EN334)											
Inlet pressure		Outlet pressure									
		2 kPa / 20 mbarg		5 kPa / 50 mbarg		10 kPa / 100 mbarg		20 kPa / 200 mbarg		34 kPa / 340 mbarg	
MPa	barg	Stm <sup>3</sup> /h	Scfh	Stm <sup>3</sup> /h	Scfh	Stm <sup>3</sup> /h	Scfh	Stm <sup>3</sup> /h	Scfh	Stm <sup>3</sup> /h	Scfh
0.05	0.5	218	7700	205	7300	170	6100	147	5200	136	4900
0.10	1.0	290	10300	270	9600	275	9800	251	8900	209	7400
0.15	1.5	325	11500	318	11300	331	11700	319	11300	274	9700
0.20	2.0	417	14800	389	13800	399	14100	385	13600	340	12100
0.25	2.5	462	16400	468	16600	423	15000	434	15400	395	14000
0.30	3.0	498	17600	548	19400	439	15600	479	17000	449	15900
0.34	3.4	520	18400	552	19500	465	16500	535	18900	561	19900

Cg = 171 K1= 89

**Table 26** Dival 700 3/4 BP flow rate with outlet pressure from 2 kPa | 20 mbarg up to 34 kPa | 340 mbarg

**Note:** Recommended max flow rate are considering multiple factors such as: extend the regulator's life, mitigate the erosion/vibrations for high velocity and to minimize the noise emission.

**Remark:** all capacity stated are considering a stand alone regulator. In case of incorporated accessories a reduction of flow shall be considered.





## Dival 700 1 BP - DN 1"1/2

From 5 kPa [50 mbarg] to 34 kPa [340 mbarg]

Dival 700 1 BP - (accuracy 10% ; AC10 according to EN334)											
Inlet pressure		Outlet pressure									
		5 kPa / 50 mbarg		10 kPa / 100 mbarg		20 kPa / 200 mbarg		30 kPa / 300 mbarg		34 kPa / 340 mbarg	
MPa	barg	Stm³/h	Scfh	Stm³/h	Scfh	Stm³/h	Scfh	Stm³/h	Scfh	Stm³/h	Scfh
0.05	0.5	232	8200	250	8900	228	8100	210	7500	210	7500
0.10	1.0	309	11000	340	12100	346	12300	340	12100	340	12100
0.15	1.5	383	13600	427	15100	430	15200	417	14800	423	15000
0.20	2.0	452	16000	499	17700	507	18000	489	17300	521	18400
0.25	2.5	502	17800	527	18700	532	18800	522	18500	541	19200
0.30	3.0	548	19400	548	19400	548	19400	548	19400	548	19400
0.34	3.4	592	21000	592	21000	592	21000	592	21000	608	21500

Cg = 332 K1= 102

**Table 27** Dival 700 1 BP flow rate with outlet pressure from 5 kPa | 50 mbarg up to 34 kPa | 340 mbarg

## Dival 700 1 BP - DN 2"

From 5 kPa [50 mbarg] to 34 kPa [340 mbarg]

Dival 700 1 BP - (accuracy 10% ; AC10 according to EN334)											
Inlet pressure		Outlet pressure									
		5 kPa / 50 mbarg		10 kPa / 100 mbarg		20 kPa / 200 mbarg		30 kPa / 300 mbarg		34 kPa / 340 mbarg	
MPa	barg	Stm³/h	Scfh	Stm³/h	Scfh	Stm³/h	Scfh	Stm³/h	Scfh	Stm³/h	Scfh
0.05	0.5	235	8300	250	8900	228	8100	210	7500	210	7500
0.10	1.0	315	11200	340	12100	346	12300	340	12100	340	12100
0.15	1.5	405	14400	427	15100	430	15200	417	14800	423	15000
0.20	2.0	465	16500	499	17700	507	18000	489	17300	521	18400
0.25	2.5	531	18800	550	19500	555	19600	545	19300	564	20000
0.30	3.0	598	21200	598	21200	598	21200	598	21200	598	21200
0.34	3.4	642	22700	642	22700	642	22700	642	22700	642	22700

Cg = 346 K1= 86

**Table 28** Dival 700 1 BP flow rate with outlet pressure from 2 kPa | 20 mbarg up to 34 kPa | 340 mbarg

**Note:** Recommended max flow rate are considering multiple factors such as: extend the regulator's life, mitigate the erosion/vibrations for high velocity and to minimize the noise emission.

**Remark:** all capacity stated are considering a stand alone regulator. In case of incorporated accessories a reduction of flow shall be considered.

## Dival 700 1 1/4 BP - DN 1"1/2

From 2 kPa [20 mbarg] to 34 kPa [340 mbarg]

Dival 700 1 1/4 BP - (accuracy 10% ; AC10 according to EN334)											
Inlet pressure		Outlet pressure									
		2 kPa / 20 mbarg		5 kPa / 50 mbarg		10 kPa / 100 mbarg		20 kPa / 200 mbarg		34 kPa / 340 mbarg	
MPa	barg	Stm <sup>3</sup> /h	Scfh	Stm <sup>3</sup> /h	Scfh	Stm <sup>3</sup> /h	Scfh	Stm <sup>3</sup> /h	Scfh	Stm <sup>3</sup> /h	Scfh
0.05	0.5	158	5600	189	6700	242	8600	258	9200	249	8800
0.08	0.8	263	9300	286	10100	314	11100	325	11500	322	11400
0.10	1.0	290	10300	320	11300	350	12400	375	13300	400	14200
0.13	1.3	337	11900	371	13200	402	14200	439	15600	478	16900
0.15	1.5	365	12900	401	14200	433	15300	476	16900	529	18700
0.18	1.8	404	14300	442	15700	476	16900	525	18600	604	21400
0.20	2.0	430	15200	469	16600	504	17800	558	19800	654	23100

Cg = 393 K1= 91

**Table 29** Dival 700 1 1/4 BP flow rate with outlet pressure from 2 kPa | 20 mbarg up to 34 kPa | 340 mbarg

## Dival 700 1 1/4 BP - DN 2"

From 5 kPa [50 mbarg] to 34 kPa [340 mbarg]

Dival 700 1 1/4 BP - (accuracy 10% ; AC10 according to EN334)											
Inlet pressure		Outlet pressure									
		5 kPa / 50 mbarg		10 kPa / 100 mbarg		20 kPa / 200 mbarg		30 kPa / 300 mbarg		34 kPa / 340 mbarg	
MPa	barg	Stm <sup>3</sup> /h	Scfh	Stm <sup>3</sup> /h	Scfh	Stm <sup>3</sup> /h	Scfh	Stm <sup>3</sup> /h	Scfh	Stm <sup>3</sup> /h	Scfh
0.05	0.5	250	8900	265	9400	258	9200	240	8500	249	8800
0.08	0.8	310	11000	333	11800	325	11500	313	11100	322	11400
0.10	1.0	330	11700	350	12400	375	13300	400	14200	400	14200
0.13	1.3	373	13200	397	14100	439	15600	478	16900	478	16900
0.15	1.5	401	14200	427	15100	476	16900	520	18400	529	18700
0.18	1.8	442	15700	473	16800	525	18600	572	20200	604	21400
0.20	2.0	469	16600	503	17800	558	19800	607	21500	654	23100

Cg = 440 K1= 86

**Table 30** Dival 700 1 1/4 BP flow rate with outlet pressure from 5 kPa | 50 mbarg up to 34 kPa | 340 mbarg

**Note:** Recommended max flow rate are considering multiple factors such as: extend the regulator's life, mitigate the erosion/vibrations for high velocity and to minimize the noise emission.

**Remark:** all capacity stated are considering a stand alone regulator. In case of incorporated accessories a reduction of flow shall be considered.



## Dival 700 1/4 TR - DN 1"

From 30 kPa [300 mbarg] to 130 kPa [1300 mbarg]

Dival 700 1/4 TR - (accuracy 10% ; AC10 according to EN334)											
Inlet pressure		Outlet pressure									
		30 kPa / 300 mbarg		50 kPa / 500 mbarg		70 kPa / 700 mbarg		100 kPa / 1000 mbarg		130 kPa / 1300 mbarg	
MPa	barg	Stm³/h	Scfh	Stm³/h	Scfh	Stm³/h	Scfh	Stm³/h	Scfh	Stm³/h	Scfh
0.05	0.5	30	1100	-	-	-	-	-	-	-	-
0.10	1.0	40	1500	40	1500	32	1200	-	-	-	-
0.20	2.0	73	2600	72	2600	65	2300	59	2100	56	2000
0.30	3.0	100	3600	100	3600	100	3600	100	3600	100	3600
0.45	4.5	139	5000	139	5000	139	5000	139	5000	140	5000
0.60	6.0	179	6400	179	6400	179	6400	179	6400	179	6400
0.85	8.5	226	8000	226	8000	226	8000	226	8000	226	8000

Cg = 50 K1= 98

**Table 31** Dival 700 1/4 TR flow rate with outlet pressure from 30 kPa | 300 mbarg up to 130 kPa | 1300 mbarg

## Dival 700 1/4 TR - DN 1"1/2

From 30 kPa [300 mbarg] to 130 kPa [1300 mbarg]

Dival 700 1/4 TR - (accuracy 10% ; AC10 according to EN334)											
Inlet pressure		Outlet pressure									
		30 kPa / 300 mbarg		50 kPa / 500 mbarg		70 kPa / 700 mbarg		100 kPa / 1000 mbarg		130 kPa / 1300 mbarg	
MPa	barg	Stm³/h	Scfh	Stm³/h	Scfh	Stm³/h	Scfh	Stm³/h	Scfh	Stm³/h	Scfh
0.05	0.5	26	1000	-	-	-	-	-	-	-	-
0.10	1.0	40	1500	40	1500	32	1200	-	-	-	-
0.20	2.0	73	2600	72	2600	65	2300	59	2100	55	2000
0.30	3.0	100	3600	100	3600	100	3600	100	3600	100	3600
0.45	4.5	139	5000	139	5000	139	5000	139	5000	140	5000
0.60	6.0	169	6000	179	6400	179	6400	179	6400	179	6400
0.85	8.5	225	8000	226	8000	226	8000	226	8000	226	8000

Cg = 50 K1= 119

**Table 32** Dival 700 1/4 TR flow rate with outlet pressure from 30 kPa | 300 mbarg up to 130 kPa | 1300 mbarg

**Note:** Recommended max flow rate are considering multiple factors such as: extend the regulator's life, mitigate the erosion/vibrations for high velocity and to minimize the noise emission.

**Remark:** all capacity stated are considering a stand alone regulator. In case of incorporated accessories a reduction of flow shall be considered.

## Dival 700 1/4 TR - DN 2"

From 30 kPa [300 mbarg] to 130 kPa [1300 mbarg]

Dival 700 1/4 TR - (accuracy 10% ; AC10 according to EN334)											
Inlet pressure		Outlet pressure									
		30 kPa / 300 mbarg		50 kPa / 500 mbarg		70 kPa / 700 mbarg		100 kPa / 1000 mbarg		130 kPa / 1300 mbarg	
MPa	barg	Stm <sup>3</sup> /h	Scfh	Stm <sup>3</sup> /h	Scfh	Stm <sup>3</sup> /h	Scfh	Stm <sup>3</sup> /h	Scfh	Stm <sup>3</sup> /h	Scfh
0.05	0.5	34	1300	-	-	-	-	-	-	-	-
0.10	1.0	40	1500	40	1500	32	1200	-	-	-	-
0.20	2.0	73	2600	72	2600	65	2300	59	2100	57	2100
0.30	3.0	100	3600	100	3600	100	3600	100	3600	100	3600
0.45	4.5	139	5000	139	5000	139	5000	139	5000	140	5000
0.60	6.0	179	6400	179	6400	179	6400	179	6400	179	6400
0.85	8.5	226	8000	226	8000	226	8000	226	8000	226	8000

Cg = 50    K1= 115

**Table 33** Dival 700 1/4 TR flow rate with outlet pressure from 30 kPa | 300 mbarg up to 130 kPa | 1300 mbarg

## Dival 700 3/8 TR - DN 1"

From 30 kPa [300 mbarg] to 130 kPa [1300 mbarg]

Dival 700 3/8 TR - (accuracy 10% ; AC10 according to EN334)											
Inlet pressure		Outlet pressure									
		30 kPa / 300 mbarg		50 kPa / 500 mbarg		70 kPa / 700 mbarg		100 kPa / 1000 mbarg		130 kPa / 1300 mbarg	
MPa	barg	Stm <sup>3</sup> /h	Scfh	Stm <sup>3</sup> /h	Scfh	Stm <sup>3</sup> /h	Scfh	Stm <sup>3</sup> /h	Scfh	Stm <sup>3</sup> /h	Scfh
0.05	0.5	60	2200	-	-	-	-	-	-	-	-
0.10	1.0	100	3600	95	3400	91	3300	-	-	-	-
0.20	2.0	136	4900	135	4800	120	4300	100	3600	94	3400
0.30	3.0	169	6000	179	6400	180	6400	180	6400	180	6400
0.45	4.5	249	8800	249	8800	249	8800	249	8800	249	8800
0.60	6.0	318	11300	318	11300	318	11300	318	11300	318	11300
0.85	8.5	412	14600	412	14600	412	14600	412	14600	412	14600

Cg = 93    K1= 91

**Table 34** Dival 700 3/8 TR flow rate with outlet pressure from 30 kPa | 300 mbarg up to 130 kPa | 1300 mbarg

**Note:** Recommended max flow rate are considering multiple factors such as: extend the regulator's life, mitigate the erosion/vibrations for high velocity and to minimize the noise emission.

**Remark:** all capacity stated are considering a stand alone regulator. In case of incorporated accessories a reduction of flow shall be considered.

## Dival 700 3/8 TR - DN 1"1/2

From 30 kPa [300 mbarg] to 130 kPa [1300 mbarg]

Dival 700 3/8 TR - (accuracy 10% ; AC10 according to EN334)

Inlet pressure		Outlet pressure									
		30 kPa / 300 mbarg		50 kPa / 500 mbarg		70 kPa / 700 mbarg		100 kPa / 1000 mbarg		130 kPa / 1300 mbarg	
MPa	barg	Stm <sup>3</sup> /h	Scfh	Stm <sup>3</sup> /h	Scfh	Stm <sup>3</sup> /h	Scfh	Stm <sup>3</sup> /h	Scfh	Stm <sup>3</sup> /h	Scfh
0.05	0.5	55	2000	-	-	-	-	-	-	-	-
0.10	1.0	90	3200	80	2900	64	2300	-	-	-	-
0.20	2.0	147	5200	145	5200	144	5100	135	4800	131	4700
0.30	3.0	199	7100	199	7100	199	7100	200	7100	200	7100
0.45	4.5	284	10100	279	9900	291	10300	294	10400	294	10400
0.60	6.0	378	13400	378	13400	378	13400	378	13400	378	13400
0.85	8.5	471	16700	471	16700	471	16700	471	16700	472	16700

Cg = 107 K1= 101

**Table 35** Dival 700 3/8 TR flow rate with outlet pressure from 30 kPa | 300 mbarg up to 130 kPa | 1300 mbarg

## Dival 700 3/8 TR - DN 2"

From 30 kPa [300 mbarg] to 130 kPa [1300 mbarg]

Dival 700 3/8 TR - (accuracy 10% ; AC10 according to EN334)

Inlet pressure		Outlet pressure									
		30 kPa / 300 mbarg		50 kPa / 500 mbarg		70 kPa / 700 mbarg		100 kPa / 1000 mbarg		130 kPa / 1300 mbarg	
MPa	barg	Stm <sup>3</sup> /h	Scfh	Stm <sup>3</sup> /h	Scfh	Stm <sup>3</sup> /h	Scfh	Stm <sup>3</sup> /h	Scfh	Stm <sup>3</sup> /h	Scfh
0.05	0.5	55	2000	-	-	-	-	-	-	-	-
0.10	1.0	90	3200	80	2900	64	2300	-	-	-	-
0.20	2.0	147	5200	145	5200	144	5100	135	4800	131	4700
0.30	3.0	219	7800	219	7800	219	7800	219	7800	220	7800
0.45	4.5	284	10100	279	9900	293	10400	298	10600	298	10600
0.60	6.0	378	13400	378	13400	378	13400	378	13400	378	13400
0.85	8.5	471	16700	471	16700	471	16700	471	16700	472	16700

Cg = 109 K1= 104

**Table 36** Dival 700 3/8 TR flow rate with outlet pressure from 30 kPa | 300 mbarg up to 130 kPa | 1300 mbarg

**Note:** Recommended max flow rate are considering multiple factors such as: extend the regulator's life, mitigate the erosion/vibrations for high velocity and to minimize the noise emission.

**Remark:** all capacity stated are considering a stand alone regulator. In case of incorporated accessories a reduction of flow shall be considered.

## Dival 700 1/2 TR - DN 1"

From 30 kPa [300 mbarg] to 130 kPa [1300 mbarg]

Dival 700 1/2 TR - (accuracy 10% ; AC10 according to EN334)											
Inlet pressure		Outlet pressure									
		30 kPa / 300 mbarg		50 kPa / 500 mbarg		70 kPa / 700 mbarg		100 kPa / 1000 mbarg		130 kPa / 1300 mbarg	
MPa	barg	Stm <sup>3</sup> /h	Scfh	Stm <sup>3</sup> /h	Scfh	Stm <sup>3</sup> /h	Scfh	Stm <sup>3</sup> /h	Scfh	Stm <sup>3</sup> /h	Scfh
0.05	0.5	85	3100	-	-	-	-	-	-	-	-
0.10	1.0	130	4600	135	4800	127	4500	-	-	-	-
0.20	2.0	179	6400	240	8500	233	8300	219	7800	208	7400
0.30	3.0	199	7100	319	11300	323	11500	337	11900	339	12000
0.45	4.5	435	15400	473	16800	493	17500	523	18500	528	18700
0.60	6.0	471	16700	596	21100	636	22500	688	24300	696	24600
0.85	8.5	479	17000	737	26100	814	28800	914	32300	931	32900

Cg = 180 K1= 97

**Table 37** Dival 700 1/2 TR flow rate with outlet pressure from 30 kPa | 300 mbarg up to 130 kPa | 1300 mbarg

## Dival 700 1/2 TR - DN 1"1/2

From 30 kPa [300 mbarg] to 130 kPa [1300 mbarg]

Dival 700 1/2 TR - (accuracy 10% ; AC10 according to EN334)											
Inlet pressure		Outlet pressure									
		30 kPa / 300 mbarg		50 kPa / 500 mbarg		70 kPa / 700 mbarg		100 kPa / 1000 mbarg		130 kPa / 1300 mbarg	
MPa	barg	Stm <sup>3</sup> /h	Scfh	Stm <sup>3</sup> /h	Scfh	Stm <sup>3</sup> /h	Scfh	Stm <sup>3</sup> /h	Scfh	Stm <sup>3</sup> /h	Scfh
0.05	0.5	72	2600	-	-	-	-	-	-	-	-
0.10	1.0	160	5700	115	4100	103	3700	-	-	-	-
0.20	2.0	244	8700	184	6500	206	7300	240	8500	238	8500
0.30	3.0	349	12400	319	11300	343	12200	349	12400	349	12400
0.45	4.5	428	15200	466	16500	492	17400	498	17600	498	17600
0.60	6.0	547	19400	616	21800	640	22600	647	22900	647	22900
0.85	8.5	687	24300	785	27800	786	27800	787	27800	787	27800

Cg = 170 K1= 94

**Table 38** Dival 700 1/2 TR flow rate with outlet pressure from 30 kPa | 300 mbarg up to 130 kPa | 1300 mbarg

**Note:** Recommended max flow rate are considering multiple factors such as: extend the regulator's life, mitigate the erosion/vibrations for high velocity and to minimize the noise emission.

**Remark:** all capacity stated are considering a stand alone regulator. In case of incorporated accessories a reduction of flow shall be considered.



## Dival 700 1/2 TR - DN 2"

From 30 kPa [300 mbarg] to 130 kPa [1300 mbarg]

**Dival 700 1/2 TR** - (accuracy 10% ; AC10 according to EN334)

Inlet pressure		Outlet pressure									
		30 kPa / 300 mbarg		50 kPa / 500 mbarg		70 kPa / 700 mbarg		100 kPa / 1000 mbarg		130 kPa / 1300 mbarg	
MPa	barg	Stm³/h	Scfh	Stm³/h	Scfh	Stm³/h	Scfh	Stm³/h	Scfh	Stm³/h	Scfh
0.05	0.5	73	2600	-	-	-	-	-	-	-	-
0.10	1.0	160	5700	115	4100	103	3700	-	-	-	-
0.20	2.0	244	8700	179	6400	205	7300	195	6900	187	6700
0.30	3.0	249	8800	319	11300	343	12200	349	12400	349	12400
0.45	4.5	428	15200	488	17300	496	17600	498	17600	498	17600
0.60	6.0	547	19400	636	22500	644	22800	647	22900	647	22900
0.85	8.5	687	24300	786	27800	786	27800	787	27800	787	27800

Cg = 179 K1= 93

**Table 39** Dival 700 1/2 TR flow rate with outlet pressure from 30 kPa | 300 mbarg up to 130 kPa | 1300 mbarg

## Dival 700 3/4 TR - DN 1"

From 30 kPa [300 mbarg] to 130 kPa [1300 mbarg]

**Dival 700 3/4 TR** - (accuracy 10% ; AC10 according to EN334)

Inlet pressure		Outlet pressure									
		30 kPa / 300 mbarg		50 kPa / 500 mbarg		70 kPa / 700 mbarg		100 kPa / 1000 mbarg		130 kPa / 1300 mbarg	
MPa	barg	Stm³/h	Scfh	Stm³/h	Scfh	Stm³/h	Scfh	Stm³/h	Scfh	Stm³/h	Scfh
0.05	0.5	130	4600	-	-	-	-	-	-	-	-
0.10	1.0	170	6100	220	7800	204	7300	-	-	-	-
0.20	2.0	230	8200	330	11700	338	12000	298	10600	279	9900
0.25	2.5	236	8400	376	13300	373	13200	350	12400	346	12300
0.30	3.0	239	8500	419	14800	403	14300	399	14100	399	14100
0.40	4.0	464	16400	498	17600	498	17600	498	17600	498	17600
0.50	5.0	478	16900	597	21100	597	21100	680	24100	697	24700

Cg = 317 K1= 93

**Table 40** Dival 700 3/4 TR flow rate with outlet pressure from 30 kPa | 300 mbarg up to 130 kPa | 1300 mbarg

**Note:** Recommended max flow rate are considering multiple factors such as: extend the regulator's life, mitigate the erosion/vibrations for high velocity and to minimize the noise emission.

**Remark:** all capacity stated are considering a stand alone regulator. In case of incorporated accessories a reduction of flow shall be considered.



## Dival 700 3/4 TR - DN 1"1/2

From 30 kPa [300 mbarg] to 130 kPa [1300 mbarg]

Dival 700 3/4 TR - (accuracy 10% ; AC10 according to EN334)											
Inlet pressure		Outlet pressure									
		30 kPa / 300 mbarg		50 kPa / 500 mbarg		70 kPa / 700 mbarg		100 kPa / 1000 mbarg		130 kPa / 1300 mbarg	
MPa	barg	Stm <sup>3</sup> /h	Scfh	Stm <sup>3</sup> /h	Scfh	Stm <sup>3</sup> /h	Scfh	Stm <sup>3</sup> /h	Scfh	Stm <sup>3</sup> /h	Scfh
0.05	0.5	125	4500	-	-	-	-	-	-	-	-
0.10	1.0	200	7100	240	8500	200	7100	-	-	-	-
0.20	2.0	339	12000	389	13800	395	14000	361	12800	344	12200
0.25	2.5	395	14000	468	16600	491	17400	479	17000	476	16900
0.30	3.0	449	15900	548	19400	588	20800	599	21200	599	21200
0.40	4.0	647	22900	797	28200	797	28200	781	27600	778	27500
0.50	5.0	796	28200	896	31700	936	33100	946	33500	946	33500

Cg = 307 K1= 91

**Table 41** Dival 700 3/4 TR flow rate with outlet pressure from 30 kPa | 300 mbarg up to 130 kPa | 1300 mbarg

## Dival 700 3/4 TR - DN 2"

From 30 kPa [300 mbarg] to 130 kPa [1300 mbarg]

Dival 700 3/4 TR - (accuracy 10% ; AC10 according to EN334)											
Inlet pressure		Outlet pressure									
		30 kPa / 300 mbarg		50 kPa / 500 mbarg		70 kPa / 700 mbarg		100 kPa / 1000 mbarg		130 kPa / 1300 mbarg	
MPa	barg	Stm <sup>3</sup> /h	Scfh	Stm <sup>3</sup> /h	Scfh	Stm <sup>3</sup> /h	Scfh	Stm <sup>3</sup> /h	Scfh	Stm <sup>3</sup> /h	Scfh
0.05	0.5	125	4500	-	-	-	-	-	-	-	-
0.10	1.0	200	7100	240	8500	200	7100	-	-	-	-
0.20	2.0	339	12000	389	13800	395	14000	454	16100	448	15900
0.25	2.5	395	14000	468	16600	510	18100	582	20600	594	21000
0.30	3.0	449	15900	548	19400	628	22200	711	25200	724	25600
0.40	4.0	647	22900	797	28200	797	28200	797	28200	798	28200
0.50	5.0	796	28200	896	31700	936	33100	946	33500	946	33500

Cg = 320 K1= 89

**Table 42** Dival 700 3/4 TR flow rate with outlet pressure from 30 kPa | 300 mbarg up to 130 kPa | 1300 mbarg

**Note:** Recommended max flow rate are considering multiple factors such as: extend the regulator's life, mitigate the erosion/vibrations for high velocity and to minimize the noise emission.

**Remark:** all capacity stated are considering a stand alone regulator. In case of incorporated accessories a reduction of flow shall be considered.



## Dival 700 1 TR - DN 1"1/2

From 30 kPa [300 mbarg] to 130 kPa [1300 mbarg]

Dival 700 1 TR - (accuracy 10% ; AC10 according to EN334)											
Inlet pressure		Outlet pressure									
		30 kPa / 300 mbarg		50 kPa / 500 mbarg		70 kPa / 700 mbarg		100 kPa / 1000 mbarg		130 kPa / 1300 mbarg	
MPa	barg	Stm <sup>3</sup> /h	Scfh	Stm <sup>3</sup> /h	Scfh	Stm <sup>3</sup> /h	Scfh	Stm <sup>3</sup> /h	Scfh	Stm <sup>3</sup> /h	Scfh
0.05	0.5	210	7500	-	-	-	-	-	-	-	-
0.10	1.0	340	12100	330	11700	266	9400	-	-	-	-
0.15	1.5	417	14800	426	15100	422	15000	359	12700	282	10000
0.20	2.0	489	17300	534	18900	547	19400	507	18000	486	17200
0.25	2.5	522	18500	549	19400	576	20400	560	19800	556	19700
0.30	3.0	548	19400	548	19400	588	20800	599	21200	599	21200
0.34	3.4	592	21000	681	24100	721	25500	709	25100	705	24900

Cg = 429 K1= 85

**Table 43** Dival 700 1 TR flow rate with outlet pressure from 30 kPa | 300 mbarg up to 130 kPa | 1300 mbarg

## Dival 700 1 TR - DN 2"

From 30 kPa [300 mbarg] to 130 kPa [1300 mbarg]

Dival 700 1 TR - (accuracy 10% ; AC10 according to EN334)											
Inlet pressure		Outlet pressure									
		30 kPa / 300 mbarg		50 kPa / 500 mbarg		70 kPa / 700 mbarg		100 kPa / 1000 mbarg		130 kPa / 1300 mbarg	
MPa	barg	Stm <sup>3</sup> /h	Scfh	Stm <sup>3</sup> /h	Scfh	Stm <sup>3</sup> /h	Scfh	Stm <sup>3</sup> /h	Scfh	Stm <sup>3</sup> /h	Scfh
0.05	0.5	210	7500	-	-	-	-	-	-	-	-
0.10	1.0	340	12100	330	11700	266	9400	-	-	-	-
0.15	1.5	417	14800	433	15300	423	15000	359	12700	282	10000
0.20	2.0	489	17300	570	20200	555	19600	507	18000	486	17200
0.25	2.5	545	19300	593	21000	585	20700	560	19800	556	19700
0.30	3.0	598	21200	598	21200	598	21200	599	21200	599	21200
0.34	3.4	642	22700	687	24300	722	25500	768	27200	776	27500

Cg = 447 K1= 86

**Table 44** Dival 700 1 TR flow rate with outlet pressure from 30 kPa | 300 mbarg up to 130 kPa | 1300 mbarg

**Note:** Recommended max flow rate are considering multiple factors such as: extend the regulator's life, mitigate the erosion/vibrations for high velocity and to minimize the noise emission.

**Remark:** all capacity stated are considering a stand alone regulator. In case of incorporated accessories a reduction of flow shall be considered.

## Dival 700 1 1/4 TR - DN 1"1/2

From 30 kPa [300 mbarg] to 130 kPa [1300 mbarg]

Dival 700 1 1/4 TR - (accuracy 10% ; AC10 according to EN334)											
Inlet pressure		Outlet pressure									
		30 kPa / 300 mbarg		50 kPa / 500 mbarg		70 kPa / 700 mbarg		100 kPa / 1000 mbarg		130 kPa / 1300 mbarg	
MPa	barg	Stm <sup>3</sup> /h	Scfh	Stm <sup>3</sup> /h	Scfh	Stm <sup>3</sup> /h	Scfh	Stm <sup>3</sup> /h	Scfh	Stm <sup>3</sup> /h	Scfh
0.05	0.5	240	8500	-	-	-	-	-	-	-	-
0.08	0.8	313	11100	317	11200	0	0	-	-	-	-
0.10	1.0	400	14200	350	12400	326	11600	-	-	-	-
0.13	1.3	478	16900	429	15200	398	14100	363	12900	-	-
0.15	1.5	520	18400	489	17300	463	16400	457	16200	347	12300
0.18	1.8	572	20200	589	20800	577	20400	574	20300	499	17700
0.20	2.0	607	21500	655	23200	652	23100	652	23100	633	22400

Cg = 530 K1= 85

**Table 45** Dival 700 1 1/4 TR flow rate with outlet pressure from 30 kPa | 300 mbarg up to 130 kPa | 1300 mbarg

## Dival 700 1 1/4 TR - DN 2"

From 30 kPa [300 mbarg] to 130 kPa [1300 mbarg]

Dival 700 1 1/4 TR - (accuracy 10% ; AC10 according to EN334)											
Inlet pressure		Outlet pressure									
		30 kPa / 300 mbarg		50 kPa / 500 mbarg		70 kPa / 700 mbarg		100 kPa / 1000 mbarg		130 kPa / 1300 mbarg	
MPa	barg	Stm <sup>3</sup> /h	Scfh	Stm <sup>3</sup> /h	Scfh	Stm <sup>3</sup> /h	Scfh	Stm <sup>3</sup> /h	Scfh	Stm <sup>3</sup> /h	Scfh
0.05	0.5	240	8500	-	-	-	-	-	-	-	-
0.08	0.8	313	11100	317	11200	263	9300	-	-	-	-
0.10	1.0	400	14200	350	12400	326	11600	-	-	-	-
0.13	1.3	478	16900	429	15200	398	14100	365	12900	-	-
0.15	1.5	520	18400	489	17300	463	16400	459	16300	349	12400
0.18	1.8	572	20200	589	20800	577	20400	575	20400	499	17700
0.20	2.0	607	21500	655	23200	652	23100	652	23100	633	22400

Cg = 570 K1= 86

**Table 46** Dival 700 1 1/4 TR flow rate with outlet pressure from 30 kPa | 300 mbarg up to 130 kPa | 1300 mbarg

**Note:** Recommended max flow rate are considering multiple factors such as: extend the regulator's life, mitigate the erosion/vibrations for high velocity and to minimize the noise emission.

**Remark:** all capacity stated are considering a stand alone regulator. In case of incorporated accessories a reduction of flow shall be considered.



# Pietro Fiorentini

INDUSTRIAL VALVE SOLUTION  
**MIX** **FLOW**  
Grupa Baltina [www.mixflow.com.pl](http://www.mixflow.com.pl)

**MIXFLOW – ENERGY**  
PL 80 – 314 Gdańsk,  
Al. Grunwaldzka 303  
Tel: +48 58 676 55 39  
[info@mixflow.com.pl](mailto:info@mixflow.com.pl)



**TB0024ENG**



The data are not binding. We reserve the right  
to make changes without prior notice.

dival700\_technicalbrochure\_ENG\_revB

[www.fiorentini.com](http://www.fiorentini.com)