

BVTT – Wafer / BLTT – typ LUG

Max working pressure:

BVTT/BLTT DN 50÷400: **10 Bar**
 Flange: **PN 10-16-A150**
 BVTT/BLTT DN 500: **6 Bar**
 Flange: **PN 10-16-A150**

To be used for vacuum
 (not with PTFE disc)

Design:

EN 593 ~ EN 736 ~ EN 12516 ~ EN 1092
 ISO 5211 ~ DIN 3337 ~ API 609
 PED 97/23/EC (cat III) Mod H

Face to face:

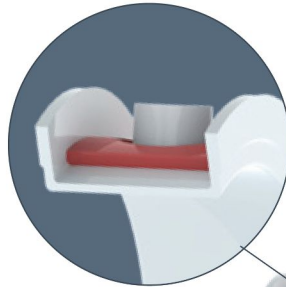
DIN EN 558-1 Series 20 ~ ISO 5752 Series 20
 BS-5155 Series 4 ~ MSS-SP67
 API 609 cat. A ~ NFE 29305-1

Testing:

EN 12266-1 Rate A (supersedes DIN 3230)
 ISO 5208 Rate A ~ API 598

Tag:

EN 19 ~ MSS SP-25



The thickness of the PTFE body seat varies from 2,5 to 3 mm depending on the position



Epoxy
EPOXY COATED



All valves are supplied with a metallic label in compliance with PED directive.



BODY				
material	references	standard coating	lug	wafer
Ductile iron (wafer, lug)	EN-GJS 400-15 (GS400)	Epoxy RAL 5009	50-500	50-500
Carbon steel (wafer)	ASTM A216-WCB	Epoxy RAL 9005	-	50-500
Stainless steel (wafer)	ASTM A351 CF8M (A316)	-	-	50-500

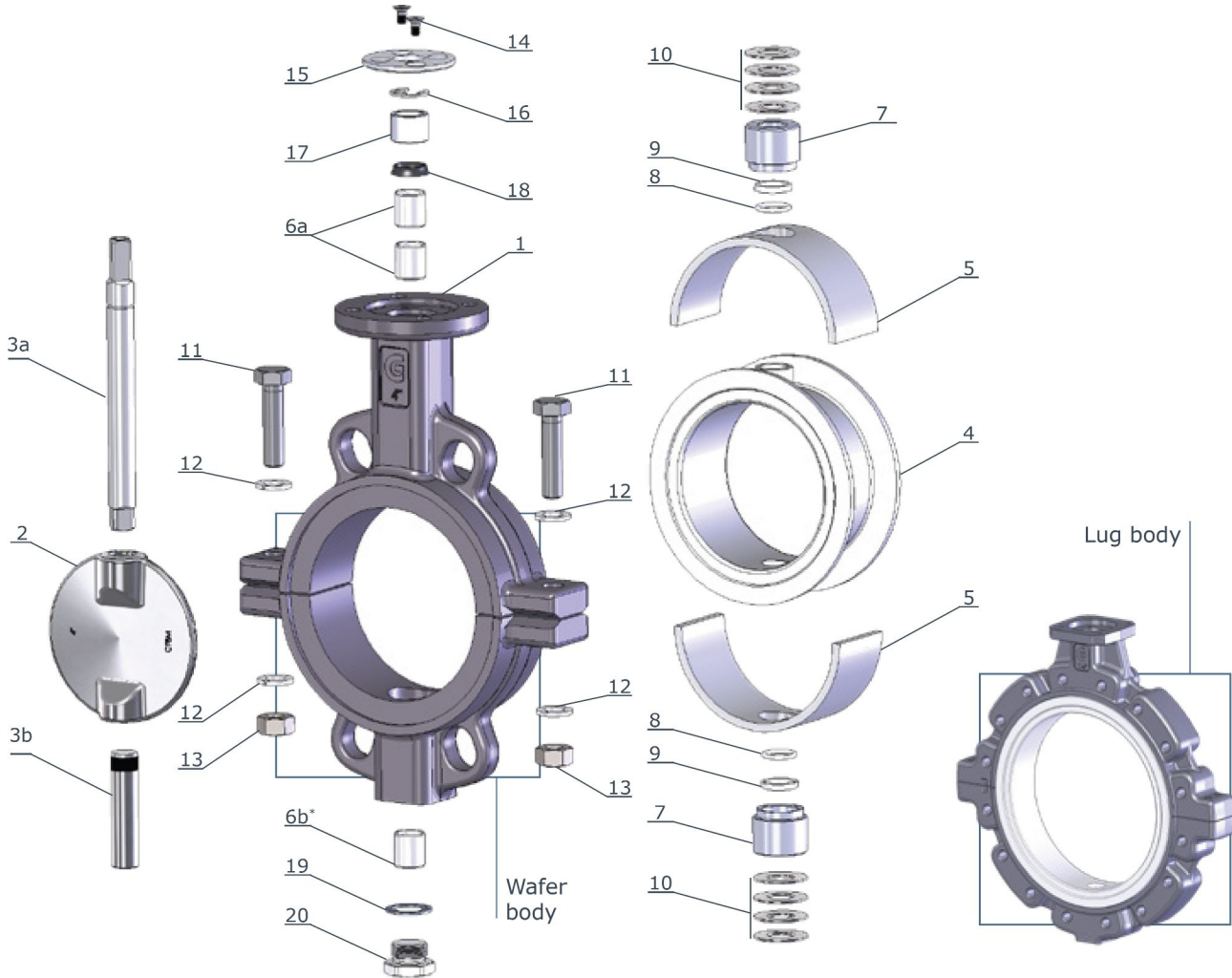
DISC				
material	references	standard coating	coating on request	DN
Stainless steel	ASTM A351 CF8M (A316)	-	HALAR®, PFA	50-500
Stainless steel	ASTM A564 Type 630	PTFE	-	50-300
Hastelloy®	ASTM A494 CX2MW	-	-	50-500
Monel®	ASTM A494 M35-1	-	-	50-500

BODY SEAT				
ref.	designation	trade name	working temp.	applications
PTFE	polytetrafluorethylene	TEFLON®	-60°C / +190°C	acids, foods, solvents

On request can be supplied other materials as: LCB, Hastelloy, Monel, Uranus, Alloy, DUPLEX, Special steels, Special bronzes.
 Coating on request: RILSAN®, Halar®, Chenisil®, PFA

BUTTERFLY VALVES with PTFE DN50 - DN500

**Construction: DN 50 - 300 [2" - 12"]
 Stainless steel (ASTM A351 CF8M) disc**



item	q.ty	part	material
1	1	body	<ul style="list-style-type: none"> ductile iron GS400 A216 - WCB A351 - CF8M (AISI 316)
2	1	disc	<ul style="list-style-type: none"> A351 - CF8M (AISI 316) HALAR® (on request)
3a	1	upper shaft	• AISI 316
3b	1	lower shaft	• AISI 316
◇4	1	body seat	• PTFE
◇5	1	elastic support	• silicon
6a	2	bush upper shaft	• steel + PTFE
6b*	1*	bush lower shaft	• steel + PTFE
7	2	housing	• AISI 316
◇8	2	O. Ring	• FEP + FKM (VITON®)
◇9	2	C. Ring	• PTFE
10	2	springs set	• steel

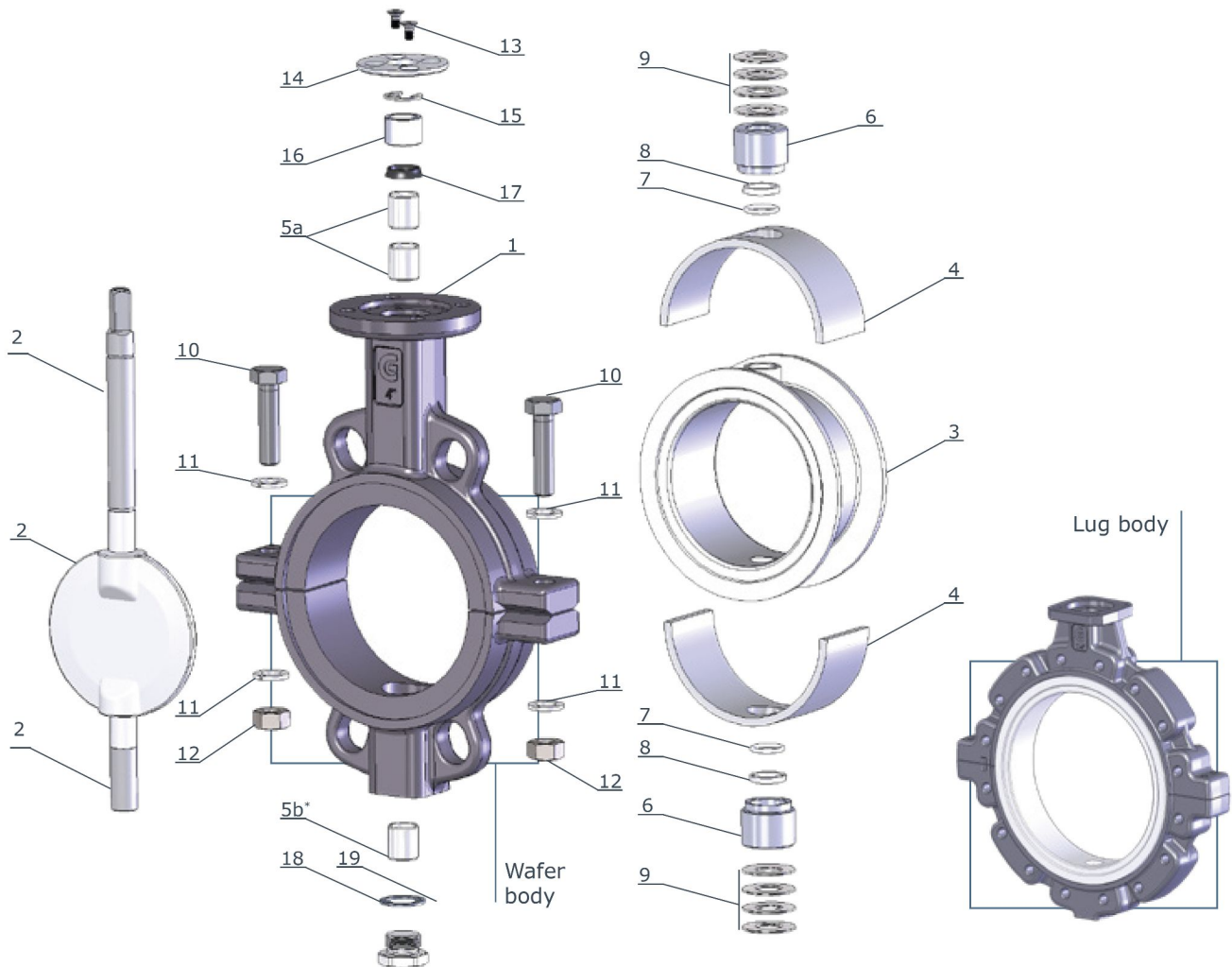
item	q.ty	part	material
11	2	screw	<ul style="list-style-type: none"> zinc plated steel AISI 316 (body AISI 316)
12	4	washer	<ul style="list-style-type: none"> zinc plated steel AISI 316 (body AISI 316)
13	2	screw nut	<ul style="list-style-type: none"> zinc plated steel AISI 316 (body AISI 316)
14	2	screw	<ul style="list-style-type: none"> zinc plated steel AISI 316 (body AISI 316)
15	1	upper flange	<ul style="list-style-type: none"> IXEF (DN 50/150) aluminium (DN 200/300)
16	1	stop ring	• steel
◇17	1	upper bush	• PTFE
◇18	1	O. Ring	• FKM (VITON®)
19	1	plug packing	<ul style="list-style-type: none"> aluminium PTFE (body AISI 316)
20	1	threaded plug	<ul style="list-style-type: none"> zinc plated steel AISI 316 (body AISI 316)

* only DN200/300

◇ parts included in spare kit

BUTTERFLY VALVES with PTFE DN50 - DN500

Construction: DN 50 - 300 [2" - 12"]
Stainless steel disc (ASTM A564 Type 630) PTFE coated



item	q.ty	part	material
1	1	body	<ul style="list-style-type: none"> ductile iron GS400 A216 - WCB A351 - CF8M (AISI 316)
◇2	1	disc - shafts	<ul style="list-style-type: none"> ASTM A564 Type 630 + PTFE
◇3	1	body seat	<ul style="list-style-type: none"> PTFE
◇4	1	elastic support	<ul style="list-style-type: none"> silicon
5a	1	bush upper shaft	<ul style="list-style-type: none"> steel + PTFE
5b*	1	bush lower shaft	<ul style="list-style-type: none"> steel + PTFE
6	2	housing	<ul style="list-style-type: none"> AISI 316
◇7	1*	O. Ring	<ul style="list-style-type: none"> FEP + FKM (VITON®)
◇8	2	C. Ring	<ul style="list-style-type: none"> PTFE
9	2	springs set	<ul style="list-style-type: none"> steel
10	2	screw	<ul style="list-style-type: none"> zinc plated steel AISI 316 (body AISI 316)

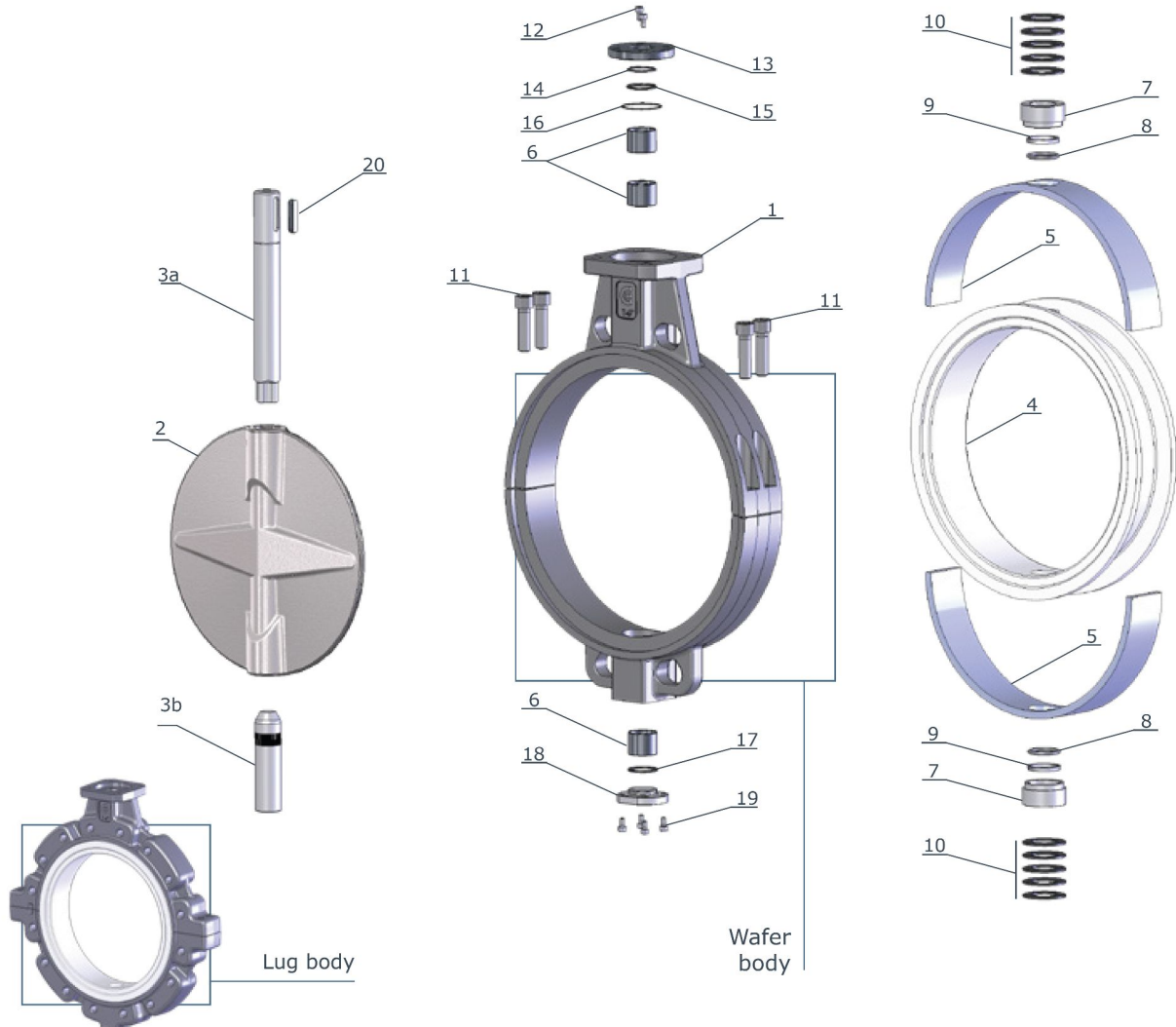
item	q.ty	part	material
11	2	washer	<ul style="list-style-type: none"> zinc plated steel AISI 316 (body AISI 316)
12	2	screw nut	<ul style="list-style-type: none"> zinc plated steel AISI 316 (body AISI 316)
13	4	screw	<ul style="list-style-type: none"> zinc plated steel AISI 316 (body AISI 316)
14	2	upper flange	<ul style="list-style-type: none"> IXEF (DN 50/150) aluminium (DN 200/300)
15	2	stop ring	<ul style="list-style-type: none"> steel
◇16	1	upper bush	<ul style="list-style-type: none"> PFTE
◇17	1	O. Ring	<ul style="list-style-type: none"> FKM (VITON®)
18	1	plug packing	<ul style="list-style-type: none"> aluminium PTFE (body AISI 316)
19	1	threaded plug	<ul style="list-style-type: none"> zinc plated steel AISI 316 (body AISI 316)

* only DN200/300

◇ parts included in spare kit

BUTTERFLY VALVES with PTFE DN50 - DN500

Construction: DN 350 - 500 [14" - 16"]



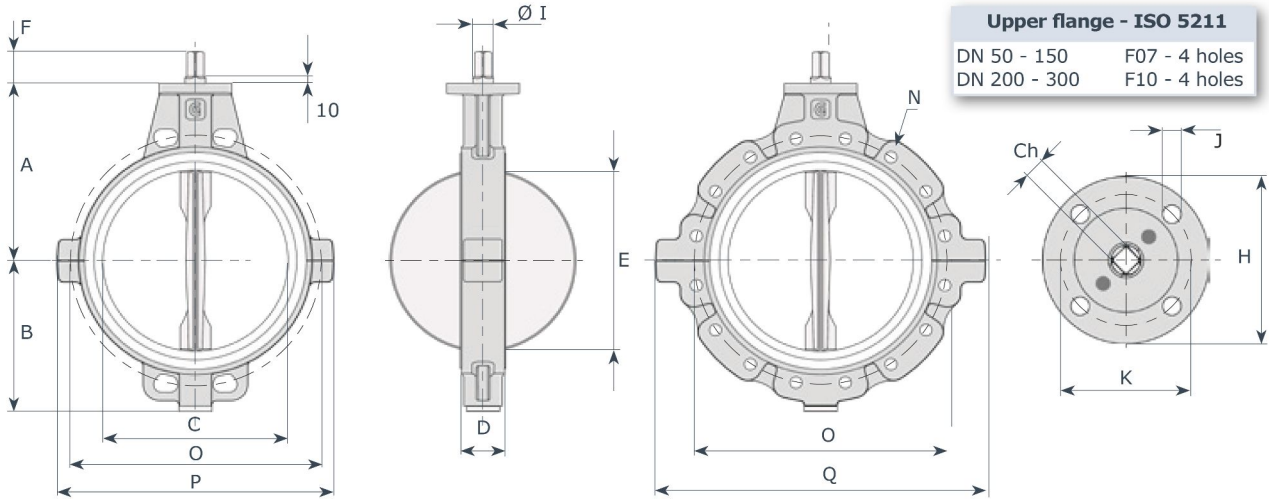
item	q.ty	part	material
1	1	body	<ul style="list-style-type: none"> ductile iron GS400 A216 - WCB A351 - CF8M (AISI 316)
2	1	disc	<ul style="list-style-type: none"> A351 - CF8M (AISI 316) HALAR® (on request)
3a	1	upper shafts	• AISI 316
3b	1	lower shafts	• AISI 316
◇4	1	body seat	• PTFE
◇5	1	elastic support	• silicon
6	3	bush shaft	• A105 + PTFE
7	2	housing	• AISI 316
◇8	2	O. Ring	• FEP + FKM (VITON®)
◇9	2	C. Ring	• PTFE
10	2	springs set	• steel
11	4	screw	<ul style="list-style-type: none"> zinc plated steel AISI 316 (body AISI 316)

item	q.ty	part	material
12	2	screw	<ul style="list-style-type: none"> zinc plated steel AISI 316 (body AISI 316)
13	1	upper flange	<ul style="list-style-type: none"> zinc plated steel AISI 316 (body AISI 316)
◇14	1	O. Ring	• FKM (VITON®)
15	1	stop ring	• steel
◇16	1	O. Ring	• FKM (VITON®)
◇17	1	O. Ring	• FKM (VITON®)
18	1	lower flange	<ul style="list-style-type: none"> zinc plated steel AISI 316 (body AISI 316)
19	4	screw	<ul style="list-style-type: none"> zinc plated steel AISI 316 (body AISI 316)
20	1	key	• steel C40

◇ parts included in spare kit

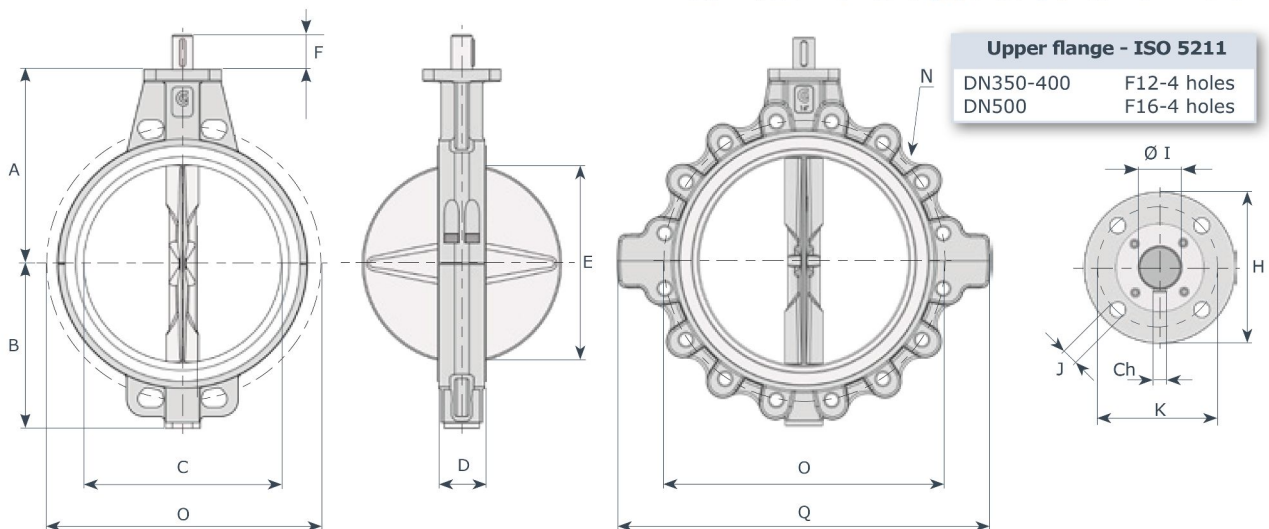
BUTTERFLY VALVES with PTFE DN50 - DN500

Dimensions



DN	"	PN 10		PN 16		ANSI 150			Kg.																
		N	n.	N	n.	N	n.	O	wafer	lug															
50	2	138	81	55	43	35	34	14	11	90	70	9	165	165	M16	4	125	M16	4	125	M16	4	120.6	3.4	3.9
65	2 ^{1/2}	144	98	68	46	50	34	14	11	90	70	9	186	186	M16	8	145	M16	8	145	M16	4	139.7	4.1	4.7
80	3	158	110	81	46	67	34	14	11	90	70	9	196	242	M16	8	160	M16	8	160	M16	4	152.4	4.4	7.6
100	4	173	128	101	52	87	34	16	11	90	70	9	220	270	M16	8	180	M16	8	180	M16	8	190.5	6.8	8.4
125	5	186	140	126	56	113	34	18	14	90	70	9	250	297	M16	8	210	M16	8	210	M20	8	215.9	8.8	11.2
150	6	202	155	150	56	140	34	18	14	90	70	9	278	321	M20	8	240	M20	8	240	M20	8	241.3	10.5	12.9
200	8	240	190	200	60	191	38	22	17	125	102	11	355	420	M20	8	295	M20	12	295	M20	8	298.4	15.2	25.0
250	10	270	220	250	68	241	38	30	22	125	102	11	398	472	M20	12	350	M24	12	355	M22	12	361.9	24.5	30.0
300	12	300	247	298	78	289	38	30	22	125	102	11	455	540	M20	12	400	M24	12	410	M22	12	431.8	32.0	45.0

Note: in case of ANSI 150 flanges, threading can be ANSI B1.1 UNC2B



DN	"	PN10		PN16		ANSI150			kg.															
		N	n.	N	n.	N	n.	O	wafer	lug														
350	14	330	280	341	78	332	60	35	10	150	125	14	600	M20	16	460	M24	16	470	M24	12	476	54	73
400	16	355	305	390	102	376	60	40	12	150	125	14	690	M24	16	515	M27	16	525	M27	16	539	68	104
500	20	422	366	485	127	468	60	45	12	210	165	22	820	M24	20	620	M30	20	650	M27	20	635	149	179

BUTTERFLY VALVES with PTFE DN50 - DN500

Torque values - Nm | safety factor excluded

DN	disc: CF8M (A316)			fluid H ₂ O - 20°C			working pressure BAR				
	0	6	10	DN	0	6	10	DN	0	6	10
50	13	16	19	125	45	57	75	300	214	296	366
65	15	21	24	150	53	63	94	350	400	450	550
80	28	42	52	200	128	153	188	400	700	800	1000
100	32	54	65	250	190	232	296	500	980	1250	-

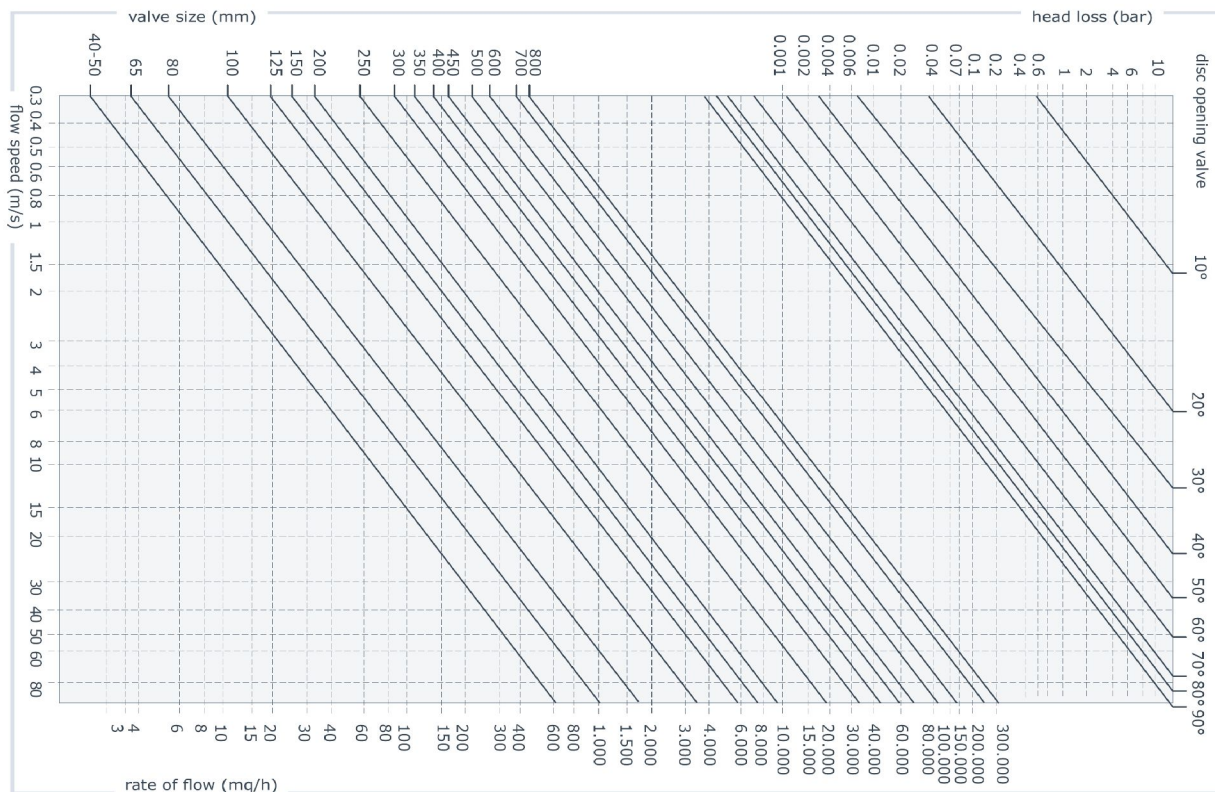
DN	disc: A564 (A630) + PTFE			fluid H ₂ O - 20°C			working pressure BAR				
	0	6	10	DN	0	6	10	DN	0	6	10
50	12	15	18	100	30	51	62	200	122	145	180
65	14	20	23	125	42	54	71	250	180	220	280
80	26	40	49	150	50	60	89	300	205	280	350

Notes: values indicated in this page is only for information

Values KV (CV = 1,16 KV)

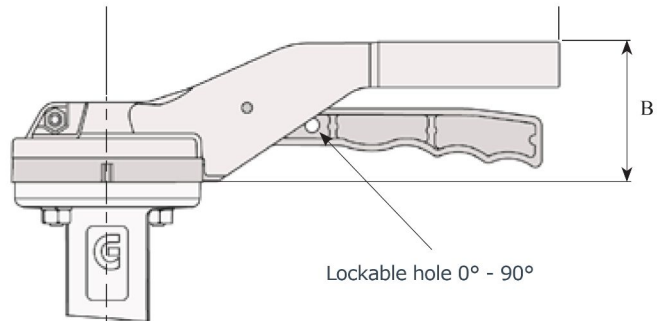
angle	Values KV (CV = 1,16 KV)											
	40/50	65	80	100	125	150	200	250	300	350	400	500
5°	-	-	-	-	-	-	-	-	-	53	68	106
10°	-	-	-	-	-	-	-	21	49	123	161	246
15°	0,2	0,6	1,8	2,4	4,2	5,6	14	80	188	228	299	457
20°	0,9	2,5	5,2	9,5	15	23	110	156	280	315	412	630
25°	3	6,1	12	22	38	61	125	225	354	457	597	914
30°	6,1	11	21	39	69	112	211	310	381	661	863	1320
35°	9,9	18	33	60	105	166	303	433	521	890	1162	1778
40°	15	27	49	88	148	228	405	591	742	1184	1547	2366
45°	21	38	68	121	199	303	528	774	987	1552	2028	3102
50°	29	51	91	159	262	394	679	988	1252	2008	2620	4010
55°	39	68	119	207	338	505	863	1247	1571	2548	3318	5090
60°	53	90	156	269	434	641	1085	1591	2059	3225	4202	6442
65°	72	121	209	357	565	820	1364	2065	2807	3983	5196	7957
70°	92	161	283	487	768	1097	1788	2715	3744	5195	6775	10377
75°	109	209	381	662	1059	1507	2425	3625	4935	6964	9084	13912
80°	115	240	457	815	1303	1861	3043	4768	6831	9301	12142	18578
85°	115	253	502	906	1457	2008	3642	4890	8230	10280	13408	20533
90°	116	257	508	925	1492	2168	3838	5010	9233	10792	14082	22024

Head losses

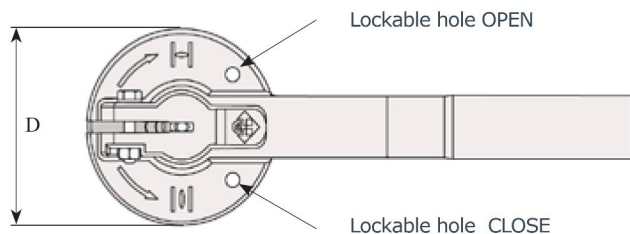


BUTTERFLY VALVES with PTFE DN50 - DN500

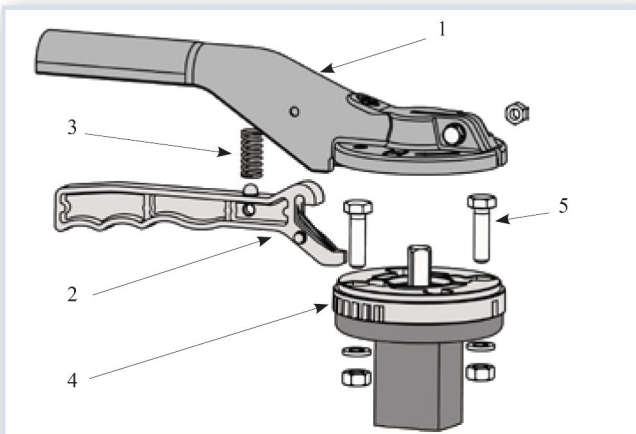
Handlever



DN	A	B	D	Kg	
				aluminium	st. steel
40 - 100	220	67	93	0.60	1.80
125 - 150	275	67	93	0.65	2.05
200 - 300	340	76	125	1	-

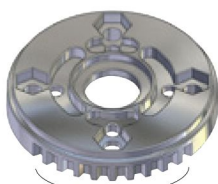


Note: DN 250 - 300 handlever not recommended

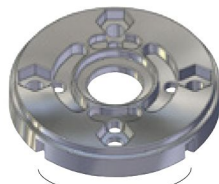


	DN40 - 300	DN40 - 150
1	lever	aluminium
2	trigger	aluminium
3	spring	stainless steel
4	disc positioning	aluminium
5	screws	stainless steel

positioning disc DN 40 - 150 designed for flanges ISO 5211 F05/F07



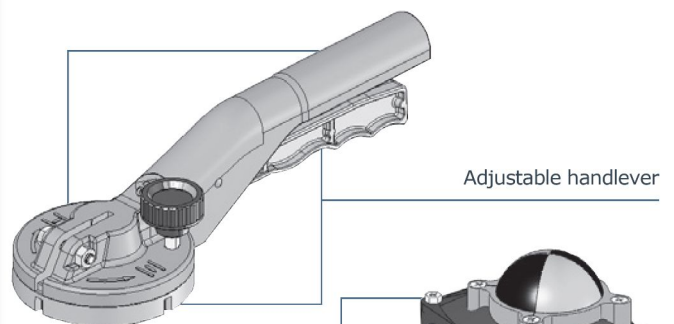
10 positions



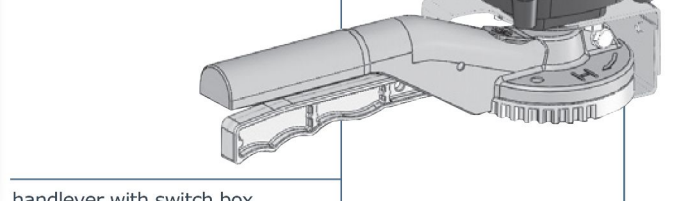
Open - Closed

positioning disc with two types of regulation: 10 positions or Open/Close

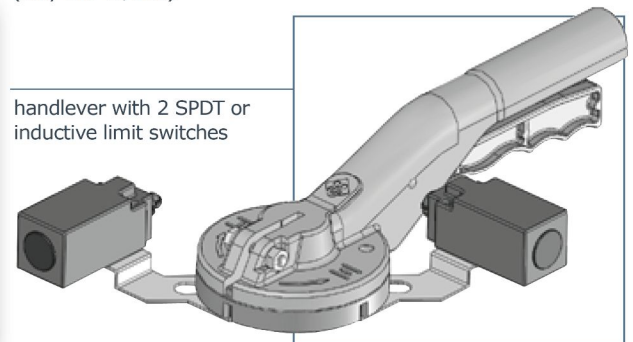
OPTIONALS



Adjustable handlever



handlever with switch box (only DN 40/300)



handlever with 2 SPDT or inductive limit switches

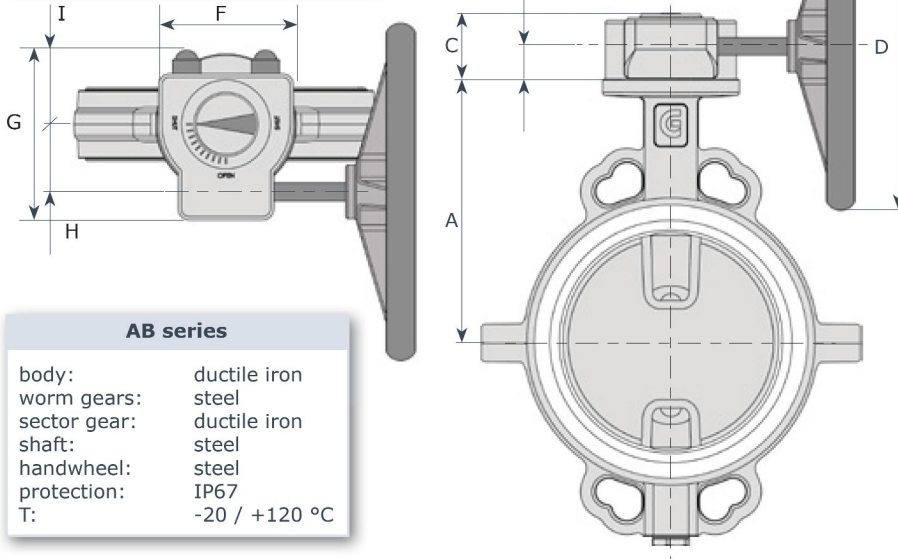
BUTTERFLY VALVES with PTFE DN50 - DN500

Gearboxes - Aluminium body - HW Series - Cast Iron body - AB Series

HW series

body: aluminium
 worm gears: steel
 sector gear: ductile iron
 shaft: stainless steel
 handwheel: steel
 protection: IP65
 T: -20 / +120 °C

low/high temperature execution
 on request



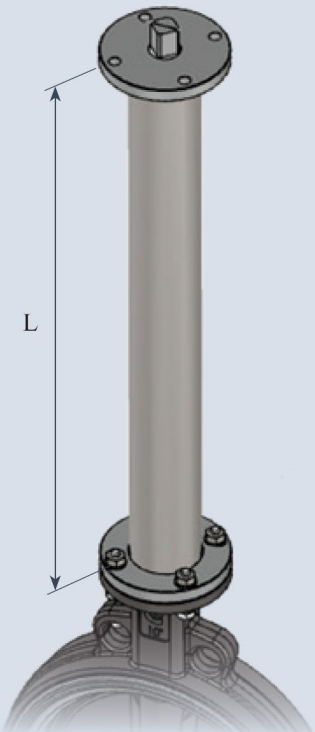
AB series

body: ductile iron
 worm gears: steel
 sector gear: ductile iron
 shaft: steel
 handwheel: steel
 protection: IP67
 T: -20 / +120 °C

Waterproof valve shaft extension

When necessary, it's possible to extend the valve shaft as indicated in the figure. Construction is in carbon steel with protective paint (on request stainless steel).

"L" measure should be indicated when ordering.



Our technical department is available to solve special applications.

Dimensions

Mod. HW	B	C	D	E	F	G	H	Kg	
HW 070	160	48	140	27	80	115	42	1.6	
HW 102	215	56	250	33	120	150	60	3	
HW 140	325	95	400*	51	185	225	80	10	
HW 165	395	105	600	61	230	268	105	20	
* for DN350: D=350									
Mod. AB	B	C	D	E	F	G	H	I	Kg
AB150	157.5	55	125	27	80	124	43	58	2.2
AB215	217	63	200	29	102	128	52	48	3.5
AB550	282	88	300	41	138	174	71	69	8.5
AB880	282	93	400	42	200	226	86	100	14
AB1250	322	102	500	48	220	258	105	110	22
AB1950	425	126	600	55	285	323	130	143	32
AB195-PR4	398	126	600	55	285	323	130	143	39
AB680-PR4	451	159	600	59	370	407	182	170	62.5
AB680-PR6	451	159	600	59	370	407	182	170	64.2

Coupling valve - actuators

DN	"	mod. HW 10 bar	mod. AB 10 bar	A	DN	"	mod. HW 10 bar	mod. AB 10 bar	A
50	2	HW070	AB150	138	200	8	HW102	AB215	240
65	2 ^{1/2}	HW070	AB150	144	250	10	HW102	AB550	270
80	3	HW070	AB150	158	300	12	HW102	AB550	300
100	4	HW070	AB150	173	350	14	HW140	AB880	330
125	5	HW070	AB150	186	400	16	HW140	AB880	355
150	6	HW070	AB150	202	500	20	HW165	AB880	422

PEŁEN OBSZAR DZIAŁALNOŚCI:

- Ścieżki gazowe do instalacji palnikowych
- Kompletnie systemy detekcji gazu
- Zawory do systemów detekcji gazu **do średnicy DN300**
- Zawory kulowe
- Zawory zwrotne
- Elektrozwory m.in.: procesowe, do pary i kriogeniki, wysokociśnieniowe do 500bar
- Przepustnice procesowe
- Przepustnice regulacyjne
- Przepustnice wysokotemperaturowe do gazów i spalin
- Filtry procesowe
- Filtry do gazu/ biogazu/ gazu koksowniczego (COG)
- Napędy: pneumatyczne, elektryczne, serwo-wspomagane



ZASTOSOWANIE:

- woda, para i kondensat
- chemia oraz media agresywne
- gazy neutralne
- gazy agresywne: **biogaz i gaz koksowniczy**
- systemy olejowe
- spr. powietrze oraz ukł. podciśnienia
- kriogenika
- instalacje palnikowe i rozpałkowe w kotłach



NOTES:

The valves presented in this catalog are manufactured in the EU by Gibson Italia srl. according to specifications:

