

BUTTERFLY VALVES Pmax: 25bar DOUBLE ECCENTRIC HD SERIES

BVHD – Wafer / BLHD – typ LUG

Max working pressure:

BVHD/BLHD DN 50÷500: **25 Bar**
 Flange: **PN 10-16-25 • A150**

Design:

EN 593~EN 736
 EN 12516~EN 1092~EN12266
 ISO 5211~DIN 3337~API 609~ASME B16.34
 PED 97/23/EC (cat III) Mod H

Face to face:

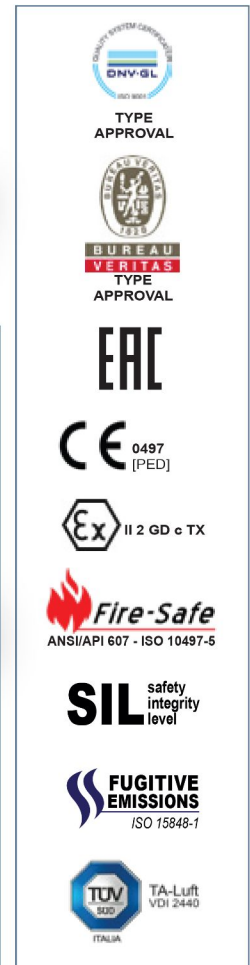
DIN EN 558-1 Series 20~ISO 5752 Series 20
 BS-5155 Series 4~MSS-SP67
 NFE 29305-1
 API 609 cat.B
 API 609 cat.A (DN 350 excluded)

Testing:

EN 12266-1 Rate A (supersedes DIN 3230)
 ISO 5208 Rate A ~ API 598
 FIRE TEST API 607 VI Ed. September
 Class V - Met/Met

Tag:

EN 19 ~ MSS SP-25



BODY

material	references	standard coating	DN
Carbon steel (wafer, lug)	ASTM A216-WCB	High-temp coating - grey color	50-500
Stainless steel (wafer, lug)	ASTM A351 CF8M (A316)	-	50-500
Austenitic Stainless steel	ASTM A351 CK3MCuN (6MO)	-	50-500
SUPERDUPLEX	ASTM A890 Gr. 5A	-	50-500

DISC

material	references	DN
Stainless steel	ASTM A351 CF8M (A316)	50-500
Austenitic Stainless steel	ASTM A351 CK3MCuN (6MO)	50-500
SUPERDUPLEX	ASTM A890 Gr. 5A	50-500

BODY SEAT

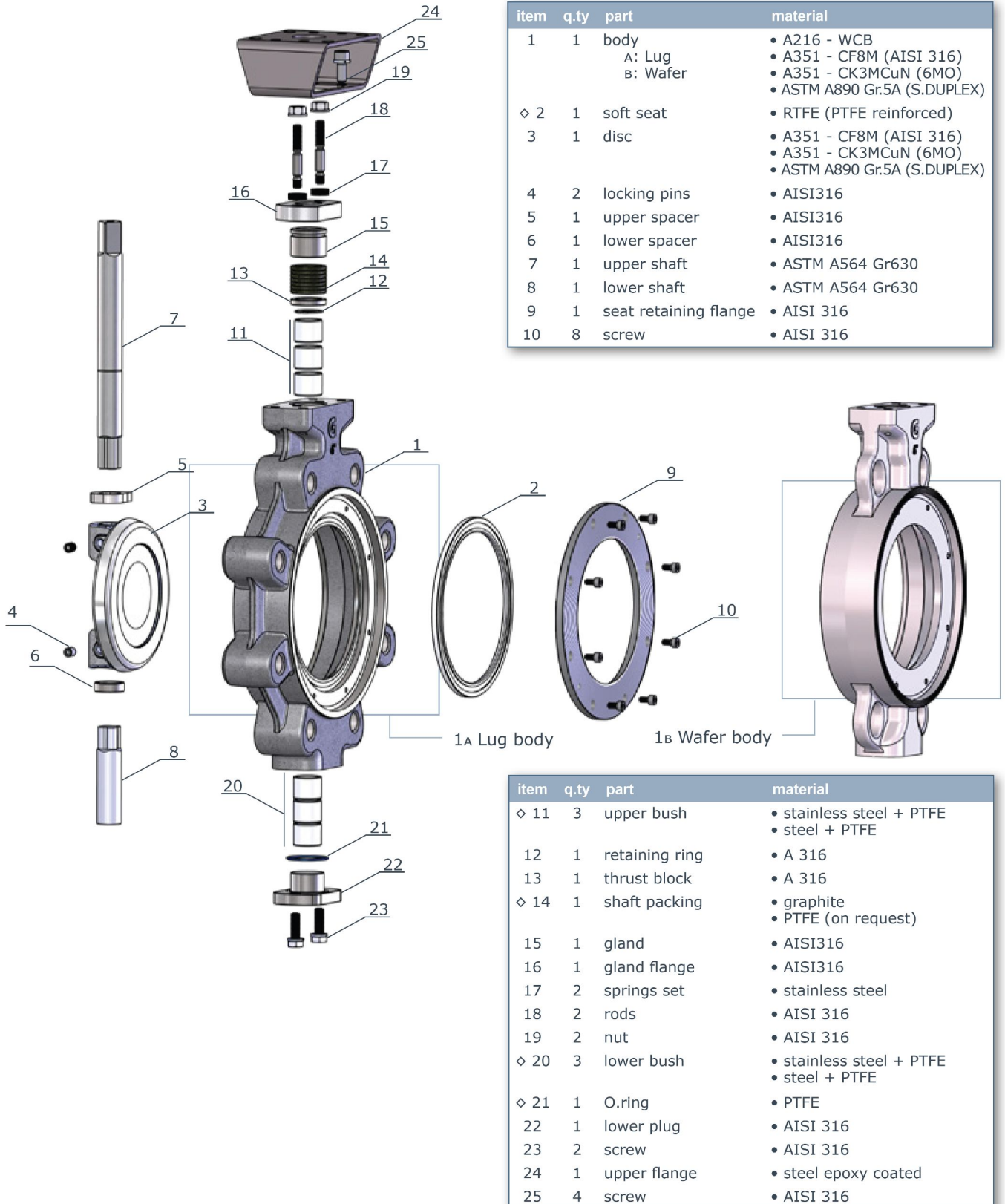
ref.	material	working temp.
RT	RTFE (PTFE reinforced)	-60°C / +230°C
MT	Inconel 625	-60°C / +450°C

On request can be supplied other materials as: LCB, Hastelloy, Monel, Uranus, Alloy, DUPLEX, Special steels, Special bronzes.
 Special coating on request.

BUTTERFLY VALVES *P*_{max}: 25bar DOUBLE ECCENTRIC HD SERIES

Construction Seat: RTFE

DN 50 - 500 [2" - 20"], PN 10 - 16 - 25 | ANSI 150



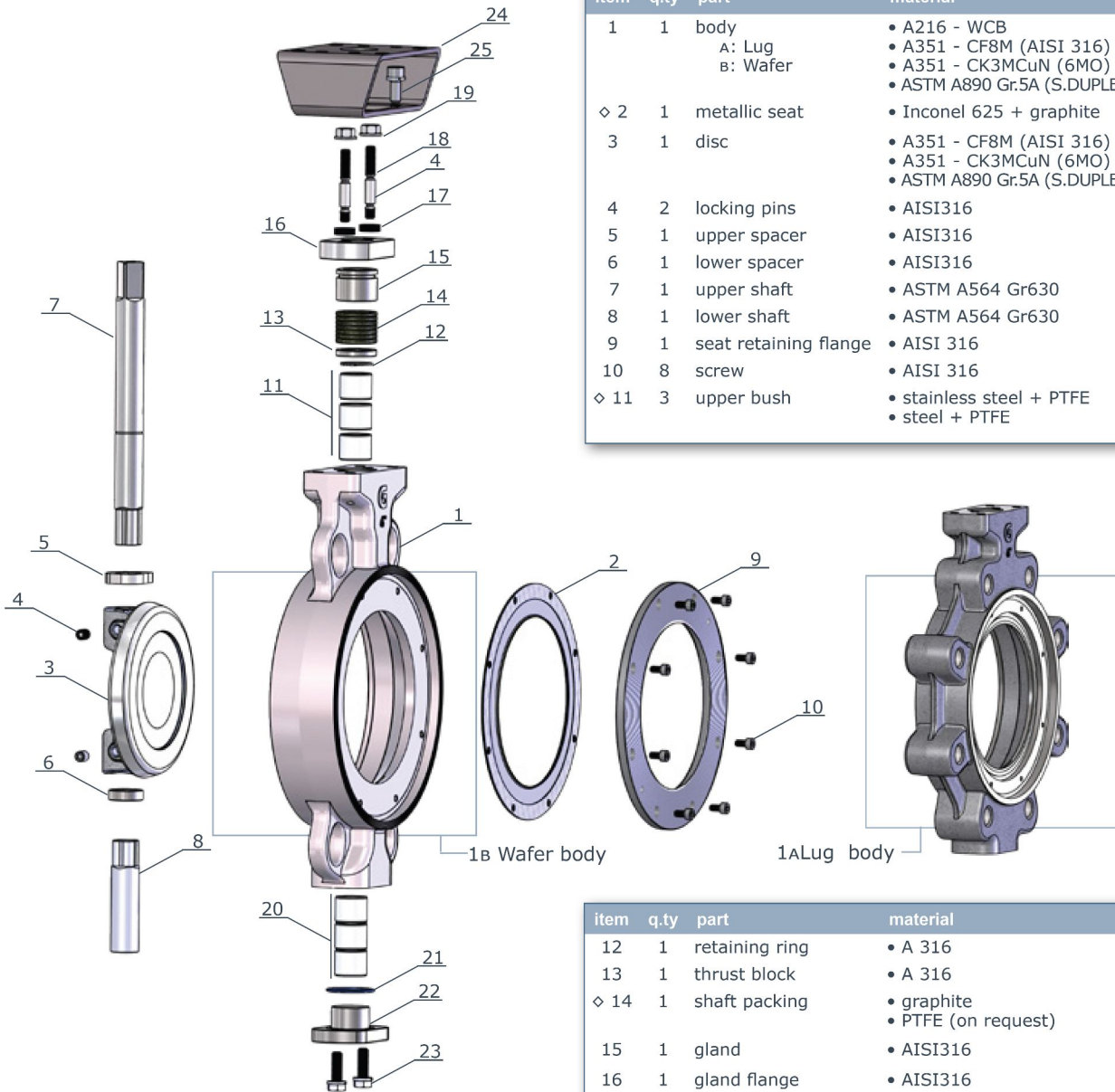
item	q.ty	part	material
1	1	body A: Lug B: Wafer	<ul style="list-style-type: none"> • A216 - WCB • A351 - CF8M (AISI 316) • A351 - CK3MCuN (6MO) • ASTM A890 Gr.5A (S.DUPLEX)
◇ 2	1	soft seat	<ul style="list-style-type: none"> • RTFE (PTFE reinforced)
3	1	disc	<ul style="list-style-type: none"> • A351 - CF8M (AISI 316) • A351 - CK3MCuN (6MO) • ASTM A890 Gr.5A (S.DUPLEX)
4	2	locking pins	<ul style="list-style-type: none"> • AISI316
5	1	upper spacer	<ul style="list-style-type: none"> • AISI316
6	1	lower spacer	<ul style="list-style-type: none"> • AISI316
7	1	upper shaft	<ul style="list-style-type: none"> • ASTM A564 Gr630
8	1	lower shaft	<ul style="list-style-type: none"> • ASTM A564 Gr630
9	1	seat retaining flange	<ul style="list-style-type: none"> • AISI 316
10	8	screw	<ul style="list-style-type: none"> • AISI 316

item	q.ty	part	material
◇ 11	3	upper bush	<ul style="list-style-type: none"> • stainless steel + PTFE • steel + PTFE
12	1	retaining ring	<ul style="list-style-type: none"> • A 316
13	1	thrust block	<ul style="list-style-type: none"> • A 316
◇ 14	1	shaft packing	<ul style="list-style-type: none"> • graphite • PTFE (on request)
15	1	gland	<ul style="list-style-type: none"> • AISI316
16	1	gland flange	<ul style="list-style-type: none"> • AISI316
17	2	springs set	<ul style="list-style-type: none"> • stainless steel
18	2	rods	<ul style="list-style-type: none"> • AISI 316
19	2	nut	<ul style="list-style-type: none"> • AISI 316
◇ 20	3	lower bush	<ul style="list-style-type: none"> • stainless steel + PTFE • steel + PTFE
◇ 21	1	O.ring	<ul style="list-style-type: none"> • PTFE
22	1	lower plug	<ul style="list-style-type: none"> • AISI 316
23	2	screw	<ul style="list-style-type: none"> • AISI 316
24	1	upper flange	<ul style="list-style-type: none"> • steel epoxy coated
25	4	screw	<ul style="list-style-type: none"> • AISI 316

◇ parts included in spare kit

BUTTERFLY VALVES Pmax: 25bar DOUBLE ECCENTRIC HD SERIES

Construction Seat: Inconel seat
DN 50 - 500 [2" - 20"], PN 10 - 16 - 25 | ANSI 150



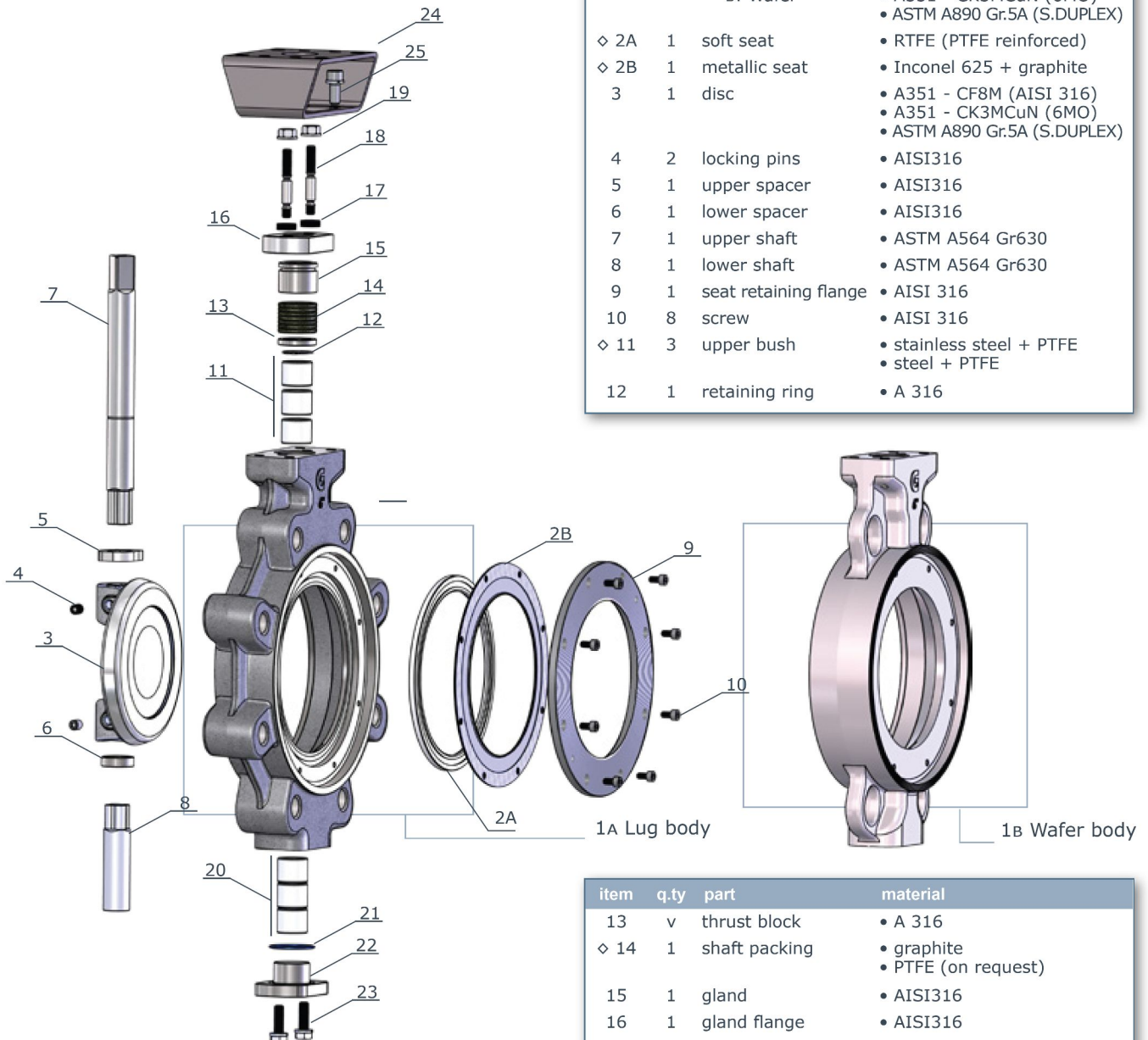
item	q.ty	part	material
1	1	body A: Lug B: Wafer	<ul style="list-style-type: none"> A216 - WCB A351 - CF8M (AISI 316) A351 - CK3MCuN (6MO) ASTM A890 Gr.5A (S.DUPLEX)
◇ 2	1	metallic seat	Inconel 625 + graphite
3	1	disc	<ul style="list-style-type: none"> A351 - CF8M (AISI 316) A351 - CK3MCuN (6MO) ASTM A890 Gr.5A (S.DUPLEX)
4	2	locking pins	AISI316
5	1	upper spacer	AISI316
6	1	lower spacer	AISI316
7	1	upper shaft	ASTM A564 Gr630
8	1	lower shaft	ASTM A564 Gr630
9	1	seat retaining flange	AISI 316
10	8	screw	AISI 316
◇ 11	3	upper bush	<ul style="list-style-type: none"> stainless steel + PTFE steel + PTFE

item	q.ty	part	material
12	1	retaining ring	A 316
13	1	thrust block	A 316
◇ 14	1	shaft packing	<ul style="list-style-type: none"> graphite PTFE (on request)
15	1	gland	AISI316
16	1	gland flange	AISI316
17	2	springs set	stainless steel
18	2	rods	AISI 316
19	2	nut	AISI 316
◇ 20	3	lower bush	<ul style="list-style-type: none"> stainless steel + PTFE steel + PTFE
◇ 21	1	packing	graphite
22	1	lower plug	AISI 316
23	2	screw	AISI 316
24	1	upper flange	steel epoxy coated
25	4	screw	AISI 316

◇ parts included in spare kit

BUTTERFLY VALVES *P*_{max}: 25bar DOUBLE ECCENTRIC HD SERIES

Construction "FIRE SAFE" design
DN 50 - 500 [2" - 20"], PN 10 - 16 - 25 | ANSI 150



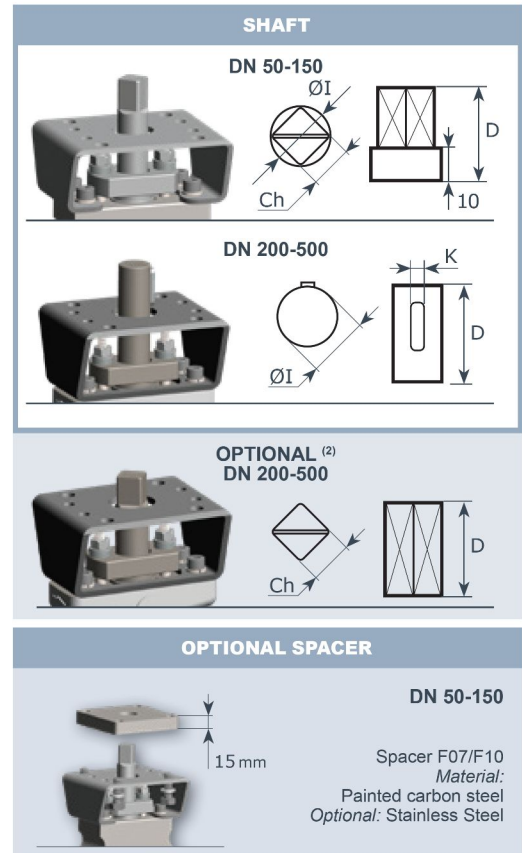
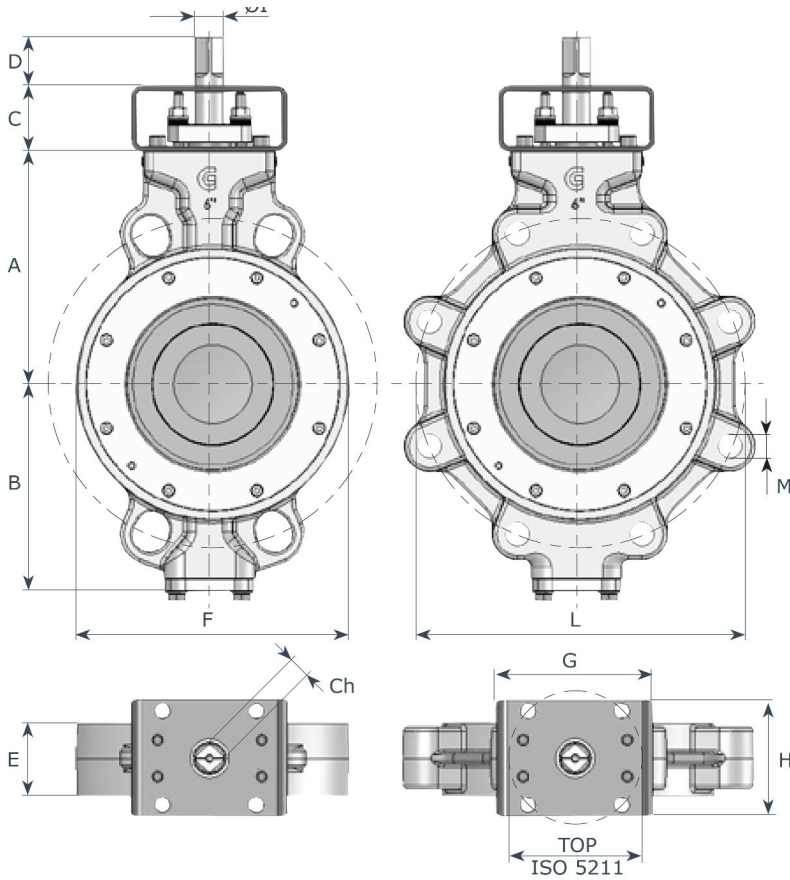
item	q.ty	part	material
1	1	body A: Lug B: Wafer	<ul style="list-style-type: none"> • A216 - WCB • A351 - CF8M (AISI 316) • A351 - CK3MCuN (6MO) • ASTM A890 Gr.5A (S.DUPLEX)
◇ 2A	1	soft seat	• RTFE (PTFE reinforced)
◇ 2B	1	metallic seat	• Inconel 625 + graphite
3	1	disc	<ul style="list-style-type: none"> • A351 - CF8M (AISI 316) • A351 - CK3MCuN (6MO) • ASTM A890 Gr.5A (S.DUPLEX)
4	2	locking pins	• AISI316
5	1	upper spacer	• AISI316
6	1	lower spacer	• AISI316
7	1	upper shaft	• ASTM A564 Gr630
8	1	lower shaft	• ASTM A564 Gr630
9	1	seat retaining flange	• AISI 316
10	8	screw	• AISI 316
◇ 11	3	upper bush	<ul style="list-style-type: none"> • stainless steel + PTFE • steel + PTFE
12	1	retaining ring	• A 316

item	q.ty	part	material
13	v	thrust block	• A 316
◇ 14	1	shaft packing	<ul style="list-style-type: none"> • graphite • PTFE (on request)
15	1	gland	• AISI316
16	1	gland flange	• AISI316
17	2	springs set	• stainless steel
18	2	rods	• AISI 316
19	2	nut	• AISI 316
◇ 20	3	lower bush	<ul style="list-style-type: none"> • stainless steel + PTFE • steel + PTFE
◇ 21	1	packing	• graphite
22	1	lower plug	• AISI 316
23	2	screw	• AISI 316
24	1	upper flange	• steel epoxy coated
25	4	screw	• AISI 316

◇ parts included in spare kit

BUTTERFLY VALVES P_{max}: 25bar DOUBLE ECCENTRIC HD SERIES

Dimensions



DN	"	A	B	C	D	E	F	G	H	Ø I	Ch	K	TOP	OPTIONAL D ⁽²⁾	OPTIONAL Ch ⁽²⁾
50	2	117	81	50	34	43	95	100	70	14	11	-	F05/F07	-	-
65	2½	120	93	50	34	46	105	100	70	14	11	-	F05/F07	-	-
80	3	129	101	50	34	46	127	100	70	14	11	-	F05/F07	-	-
100	4	160	128	50	34	52	150	100	70	18	14	-	F05/F07	-	-
125	5	170	159	50	38	56	174	120	90	22	17	-	F07/F10	-	-
150	6	179	168	50	38	56	210	120	90	22	17	-	F07/F10	-	-
200	8	218	207	60	40	61	270	120	90	25	-	8	F07/F10	23	22
250	10	257	232	80	60	69	325	160	130	30	-	10	F12	23	22
300	12	300	270	80	60	78	378	160	130	35	-	10	F12	28	27
350	14	328	304	100	60	92	432	200	140	40	-	12	F14	28	27
400	16	387	340	100	60	102	485	200	140	45	-	14	F14	37	36
500	20	451	427	100	75	127	580	200	165	60	-	18	F16	47	46

DN	PN 10			PN 16			PN 25			ANSI 150			Kg.	
	M	n.	L	M	n.	L	M	n.	L	M ⁽¹⁾	n.	L	wafer	lug
50	M16	4	125	M16	4	125	M16	4	125	M16	4	120.6	3.5	5.7
65	M16	8	145	M16	8	145	M16	8	145	M16	4	139.7	4.0	7
80	M16	8	160	M16	8	160	M16	8	160	M16	4	152.4	4.8	7.6
100	M16	8	180	M16	8	180	M20	8	190	M16	8	190.5	8	9.7
125	M16	8	210	M16	8	210	M24	8	220	M20	8	215.9	10.1	14.8
150	M20	8	240	M20	8	240	M24	8	250	M20	8	241.3	13.5	17.6
200	M20	8	295	M20	12	295	M24	12	310	M20	8	298.4	22	32
250	M20	12	350	M24	12	355	M27	12	370	M22	12	361.9	35	46
300	M20	12	400	M24	12	410	M27	16	430	M22	12	431.8	50	62
350	M20	12	460	M24	16	470	M30	16	490	M24	12	476.2	83	110
400	M24	16	515	M27	16	525	M33	16	550	M27	16	539.7	107	140
500	M24	20	620	M30	20	650	M33	20	660	M27	20	635	200	250

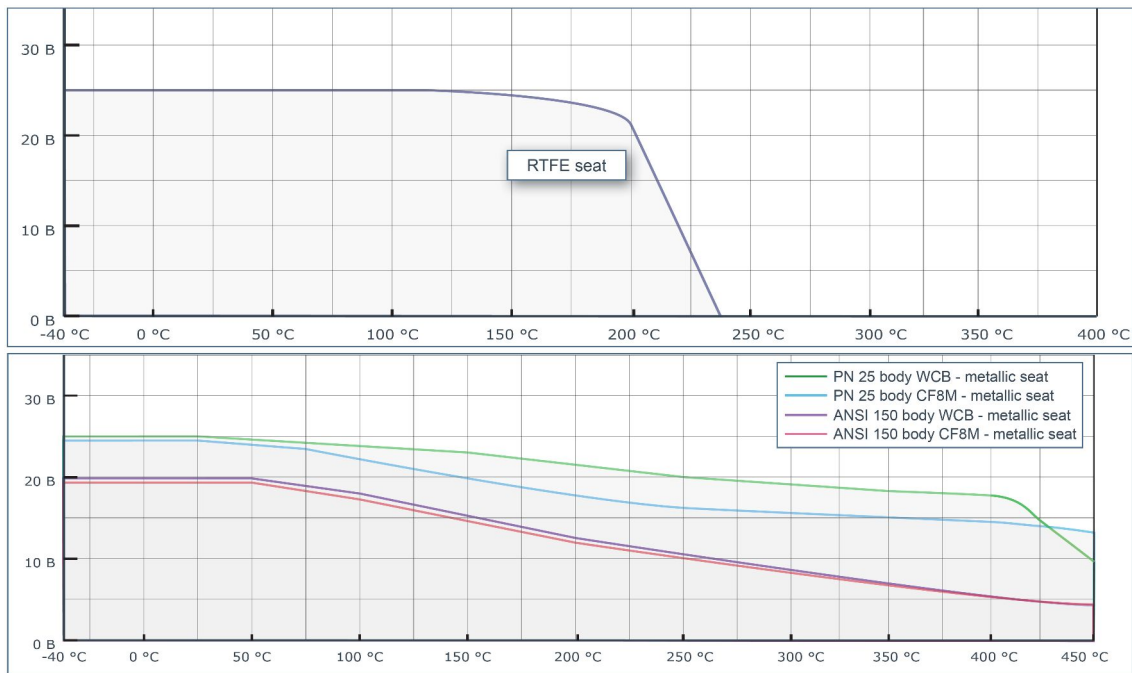
NOTE ⁽¹⁾: in case of ANSI150 flanges, threading can be ANSI B1.1 UNC2B

BUTTERFLY VALVES P_{max} : 25bar DOUBLE ECCENTRIC HD SERIES

Torque values - Nm | safety factor excluded

seat: RTFE - fluid: H ₂ O - 20°C					seat: INCONEL - fluid: H ₂ O - 20°C				
working pressure: BAR					working pressure: BAR				
DN	10	16	20	25	DN	10	16	20	25
50	24	30	40	47	50	36	44	58	68
65	34	38	48	60	65	51	56	70	86
80	38	45	54	68	80	57	67	78	97
100	45	56	62	81	100	68	83	89	114
125	85	90	105	120	125	124	133	154	168
150	130	145	170	210	150	186	212	248	302
200	180	240	270	390	200	261	350	392	570
250	330	450	520	580	250	480	668	765	848
300	580	640	740	850	300	848	941	1085	1244
350	780	1030	1190	1550	350	950	1250	1500	1850
400	850	1400	1750	2275	400	1750	2180	2470	2830
500	1925	2560	2980	3875	500	2740	3445	3910	4500

Pressure / Temperature



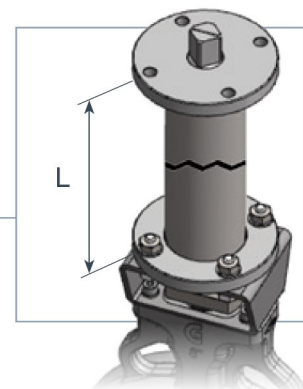
Waterproof valve shaft extension

When necessary, it's possible to extend the valve shaft as indicated in the figure. Construction is in carbon steel with protective paint (on request stainless steel).

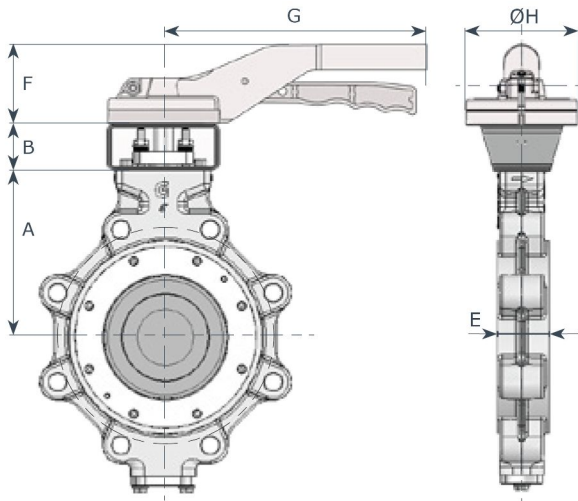
NOTE

Our technical department is available to solve special applications.

"L" measure should be indicated when ordering.

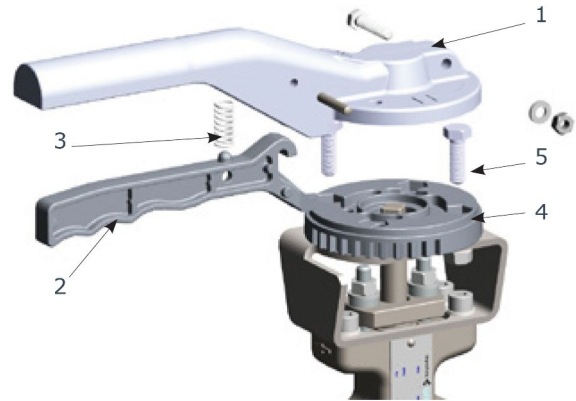


Handlever



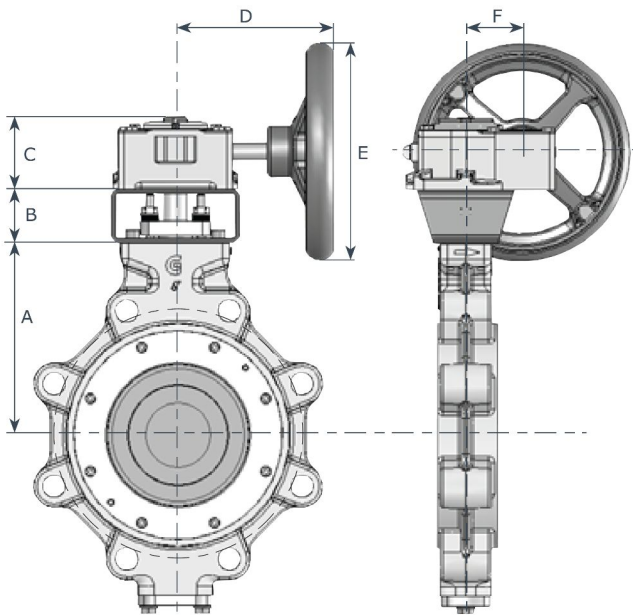
DN	"	A	B	E	F	G	ØH	aluminium		St. Steel	
								Kg wafer	Kg lug	Kg wafer	Kg lug
50	2	117	50	43	67	220	93	4.1	6.3	5.2	7.4
65	2 ^{1/2}	120	50	46	67	220	93	4.6	7.6	5.7	8.7
80	3	129	50	46	67	220	93	5.4	8.2	6.5	9.3
100	4	160	50	52	67	275	93	8.7	10.4	10.0	11.7
125	5	170	50	56	76	340	125	11.1	15.8	-	-
150	6	179	50	56	76	340	125	14.5	18.6	-	-

COMPONENTS



		DN 50-150	DN 50-100
1	lever	aluminium	A351 CF8M
2	trigger	aluminium	A351 CF8M
3	spring	stainless steel	stainless steel
4	disc positioning	aluminium	A351 CF8M
5	screws	stainless steel	stainless steel

Gearboxes - coupling and dimensions



AB series

body: ductile iron GGG40
 worm gears: steel
 sector gear: ductile iron
 shaft: steel
 handwheel: steel
 protection: IP67
 T: -20 / +120 °C

*low/high
 temperature
 execution on
 request*

RTFE seated valve / fluid: H2O / T: 20°C

DN	"	A	B	C	D	E	F	type	kg wafer	kg lug
50	2	117	50	55	157.5	200	43	AB150	5.7	7.9
65	2 ^{1/2}	120	50	55	157.5	200	43	AB150	6.2	9.2
80	3	129	50	55	157.5	200	43	AB150	7.0	9.8
100	4	160	50	55	157.5	200	43	AB150	10.2	11.9
125	5	170	50	63	217	200	52	AB215	13.6	18.3
150	6	179	50	63	217	200	52	AB215	17	21.1
200	8	218	60	63	217	200	52	AB215	26.2	34.7
250	10	257	80	88	282	300	71	AB550	43.5	54.5
300	12	300	80	88	282	300	71	AB550	58.5	70.5
350	14	328	100	102	322	500	105	AB1250	105	132
400	16	387	100	102	322	500	105	AB1250	129	162
500	20	451	100	126	425	600	130	AB1950	232	282

INCONEL seated valve / fluid: H2O / T: 20°C

DN	"	A	B	C	D	E	F	type	kg wafer	kg lug
50	2	117	50	55	157.5	200	43	AB150	5.7	7.9
65	2 ^{1/2}	120	50	55	157.5	200	43	AB150	6.2	9.2
80	3	129	50	55	157.5	200	43	AB150	7.0	9.8
100	4	160	50	55	157.5	200	43	AB150	10.2	11.9
125	5	170	50	63	217	200	52	AB215	13.6	18.3
150	6	179	50	63	217	200	52	AB215	17.0	21.1
200	8	218	60	88	282	300	71	AB550	36.2	44.7
250	10	257	80	93	282	400	86	AB880	49	60
300	12	300	80	93	282	400	86	AB880	64	76
350	14	328	100	102	322	500	105	AB1250	105	132
400	16	387	100	126	425	600	143	AB1950	139	172
500	20	451	100	126	398	600	143	AB1950 PR4	245	295

PEŁEN OBSZAR DZIAŁALNOŚCI:

- Ścieżki gazowe do instalacji palnikowych
- Kompletnie systemy detekcji gazu
- Zawory do systemów detekcji gazu **do średnicy DN300**
- Zawory kulowe
- Zawory zwrotne
- Elektrozwory m.in.: procesowe, do pary i kriogeniki, wysokociśnieniowe do 500bar
- Przepustnice procesowe
- Przepustnice regulacyjne
- Przepustnice wysokotemperaturowe do gazów i spalin
- Filtry procesowe
- Filtry do gazu/ biogazu/ gazu koksowniczego (COG)
- Napędy: pneumatyczne, elektryczne, serwo-wspomagane



ZASTOSOWANIE:

- woda, para i kondensat
- chemia oraz media agresywne
- gazy neutralne
- gazy agresywne: **biogaz i gaz koksowniczy**
- systemy olejowe
- spr. powietrze oraz ukł. podciśnienia
- kriogenika
- instalacje palnikowe i rozpałkowe w kotłach



NOTES:

The valves presented in this catalog are manufactured in the EU by Gibson Italia srl. according to specifications:

