

BVKA, BVKX – Wafer / BLKA, BLKX – typ LUG

Max working pressure:

BVKA/BLKA DN 40÷800: **20 Bar**

Flange: **PN 10-16 • A150**

BVKX DN 50÷250: **25 Bar**

Flange: **PN 25 • A150**

BLKX DN 50÷200: **25 Bar**

Flange: **PN 25**

To be used also with vacuum

Design:

EN 593 ~ EN 736 ~ EN 12516 ~ EN 1092

ISO 5211 ~ DIN 3337 ~ API 609

Face to face:

DIN EN 558-1 Series 20 ~ ISO 5752 Series 20

BS-5155 Series 4 ~ MSS-SP67

API609 cat.A ~ NFE 29305-1

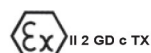
Testing:

EN 12266-1 Rate A (supersedes DIN 3230)

ISO 5208 Rate A ~ API 598

Tag:

EN 19 ~ MSS SP-25



BODY			BVKA/BLKA	BVKX	BLKX
material	references	standard coating	DN	DN	DN
Ductile iron	EN-GJS 400-15 (GS400)	Epoxy RAL 5009	40-800	50-250	50-200
Carbon steel	ASTM A216-WCB	Epoxy RAL 9005	40-800	50-100	50-100
Stainless steel	ASTM A351 CF8M (A316)	-	40-800	50-100	50-100
Aluminium-bronze	ASTM B148-C958.00	-	40-800	50-100	50-100

DISCO			BVKA/BLKA	BVKX	BLKX
material	references	standard coating	DN	DN	DN
Stainless steel	ASTM A351 CF8M (A316)	-	40-800	50-250	50-200
Aluminium-bronze	ASTM B148-C958.00	-	40-800	50-250	50-200
Hastelloy®	ASTM A494 CX2MW	-	40-800	50-250	50-200
Monel®	ASTM A494 M35-1	-	40-800	50-250	50-200

BODY RUBBER SEAT				
KA DN 40/150 replaceable - DN 200/800 vulcanized not replaceable				
KX DN 50/250 vulcanized not replaceable				
ref.	designation	trade name	working temp.	applications
NBR	nitrile rubber	BUNA®	-25°C / +100°C	oils, hydrocarbons, gas, air, water
EPDM	copolymer EPDM	-	-35°C / +130°C	water, sea water, steam, diluted acids
EPDM HT	copolymer EPDM HT	-	-30°C / +135°C	water, sea water, steam, diluted acids
FKM	fluoroelastomer	VITON®	-20°C / +200°C	oils, acids, hydrocarbans

On request can be supplied other materials as: LCB, Hastelloy, Monel, Uranus, Alloy, DUPLEX, Special steels, Special bronzes.
 Coating on request: RILSAN®, Halar®, Chenisil®

Przepustnice procesowe / Butterfly valves Pmax: 20 – 25bar (2,0 – 2,5MPa)

BVKA - Wafer BLKA - Lug

DN 40 - 150 • 11/2" - 6"

PN 10-16 • ANSI 150



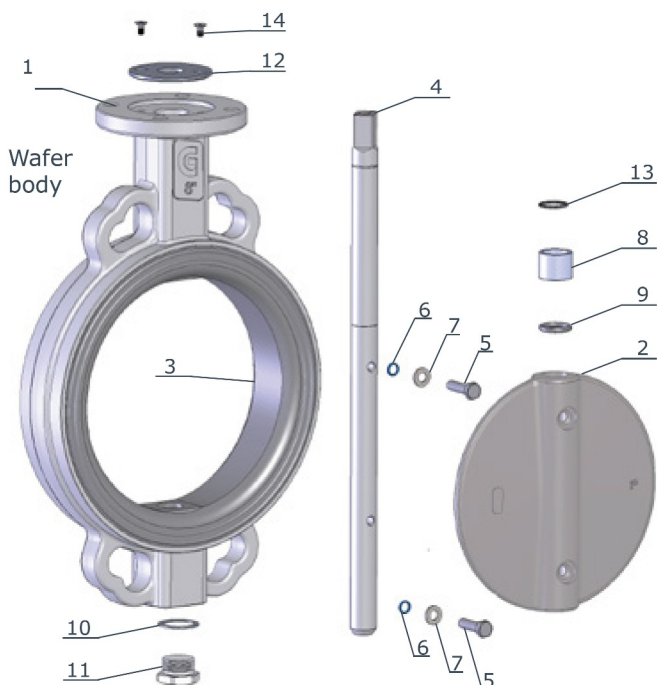
◇ parts included in spare kit

item	q.ty	part	material
1	1	body	<ul style="list-style-type: none"> ductile iron GS400 A216 - WCB A352 - LCB A351 - CF8M (AISI 316)
2	1	disc	<ul style="list-style-type: none"> A351 - CF8M (AISI 316) aluminium-bronze Hastelloy® Monel®
◇3	1	body seat (replaceable)	<ul style="list-style-type: none"> NBR (BUNA®) EPDM EPDM HT FKM (VITON®)
4	1	upper shaft	<ul style="list-style-type: none"> AISI 430 AISI 316 (on request)
5	1	lower shaft	<ul style="list-style-type: none"> AISI 430 AISI 316 (on request)
◇6	1	bush	<ul style="list-style-type: none"> bronze
◇7	1	shaft packing	<ul style="list-style-type: none"> NBR (BUNA®) FKM (VITON®) (on request)
8	1	plug packing	<ul style="list-style-type: none"> aluminium
9	1	threaded plug	<ul style="list-style-type: none"> zinc plated steel
10	1	stop ring	<ul style="list-style-type: none"> steel
11	1	upper flange	<ul style="list-style-type: none"> IXEF (DN 40-150)
12	2	screw	<ul style="list-style-type: none"> zinc plated steel

BVKA - Wafer BLKA - Lug

DN 200 - 300 • 8" - 12"

PN 10-16 • ANSI 150



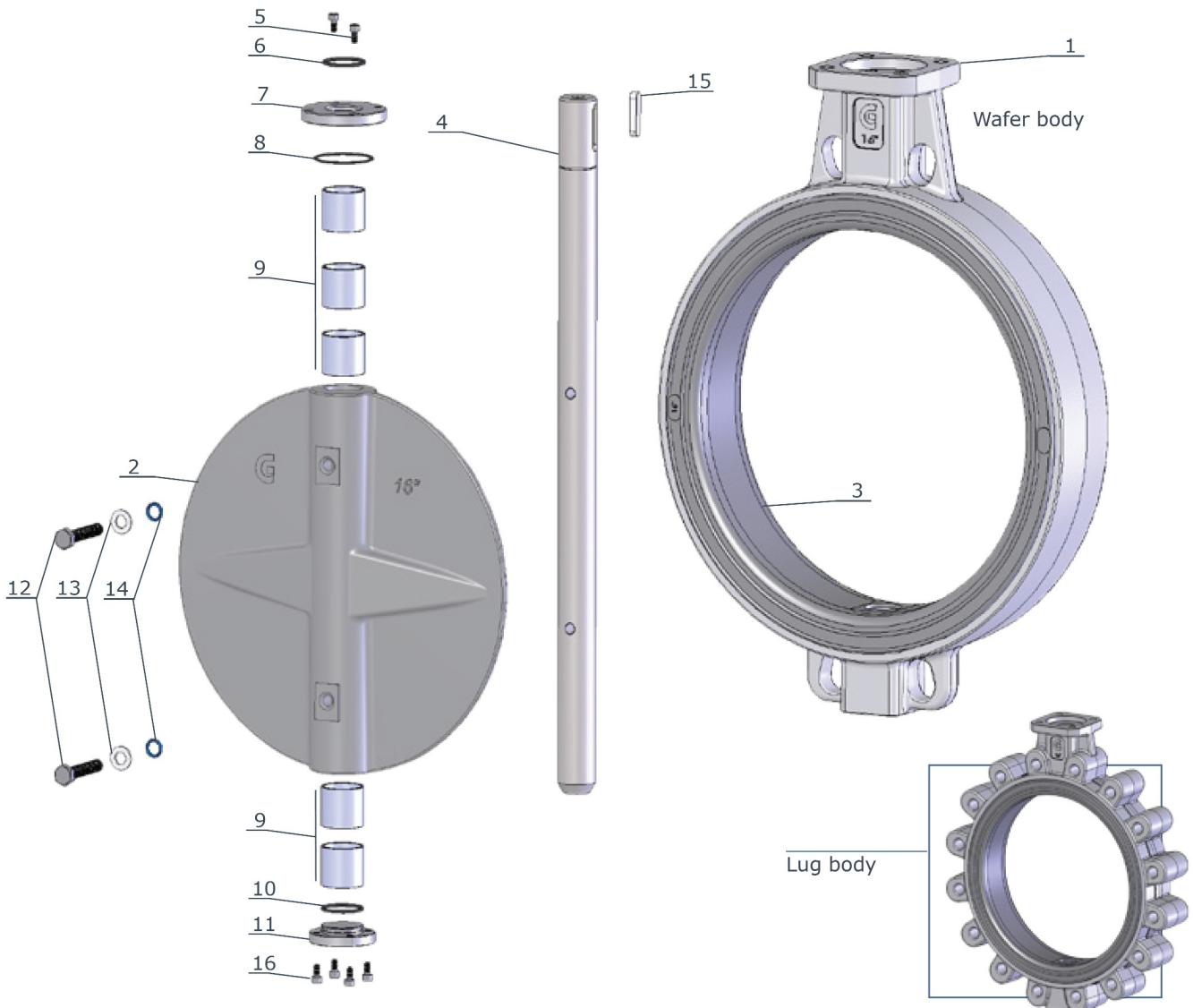
◇ parts included in spare kit

item	q.ty	part	material
1	1	body	<ul style="list-style-type: none"> ductile iron GS400 A216-WCB A352-LCB A351-CF8M (AISI 316) aluminium-bronze
2	1	disc	<ul style="list-style-type: none"> A351-CF8M (AISI 316) aluminium-bronze Hastelloy® Monel®
3	1	body seat (vulcanized not replaceable)	<ul style="list-style-type: none"> NBR (BUNA®) EPDM EPDM HT FKM (VITON®)
4	1	shaft	<ul style="list-style-type: none"> AISI 430 AISI 316 (on request)
5	2	screw	<ul style="list-style-type: none"> AISI 316
◇6	2	O.Ring	<ul style="list-style-type: none"> PTFE
7	2	washer	<ul style="list-style-type: none"> AISI 316
◇8	1	bush	<ul style="list-style-type: none"> bronze
◇9	1	shaft packing	<ul style="list-style-type: none"> NBR (BUNA®) FKM (VITON®) (on req.)
10	1	plug packing	<ul style="list-style-type: none"> aluminium
11	1	threaded plug	<ul style="list-style-type: none"> zinc plated steel
12	1	upper flange	<ul style="list-style-type: none"> aluminium
13	1	stop ring	<ul style="list-style-type: none"> steel
14	2	screw	<ul style="list-style-type: none"> zinc plated steel

BVKA - Wafer BLKA - Lug

DN 350 - 400 • 14" - 16"

PN 10-16 • ANSI 150

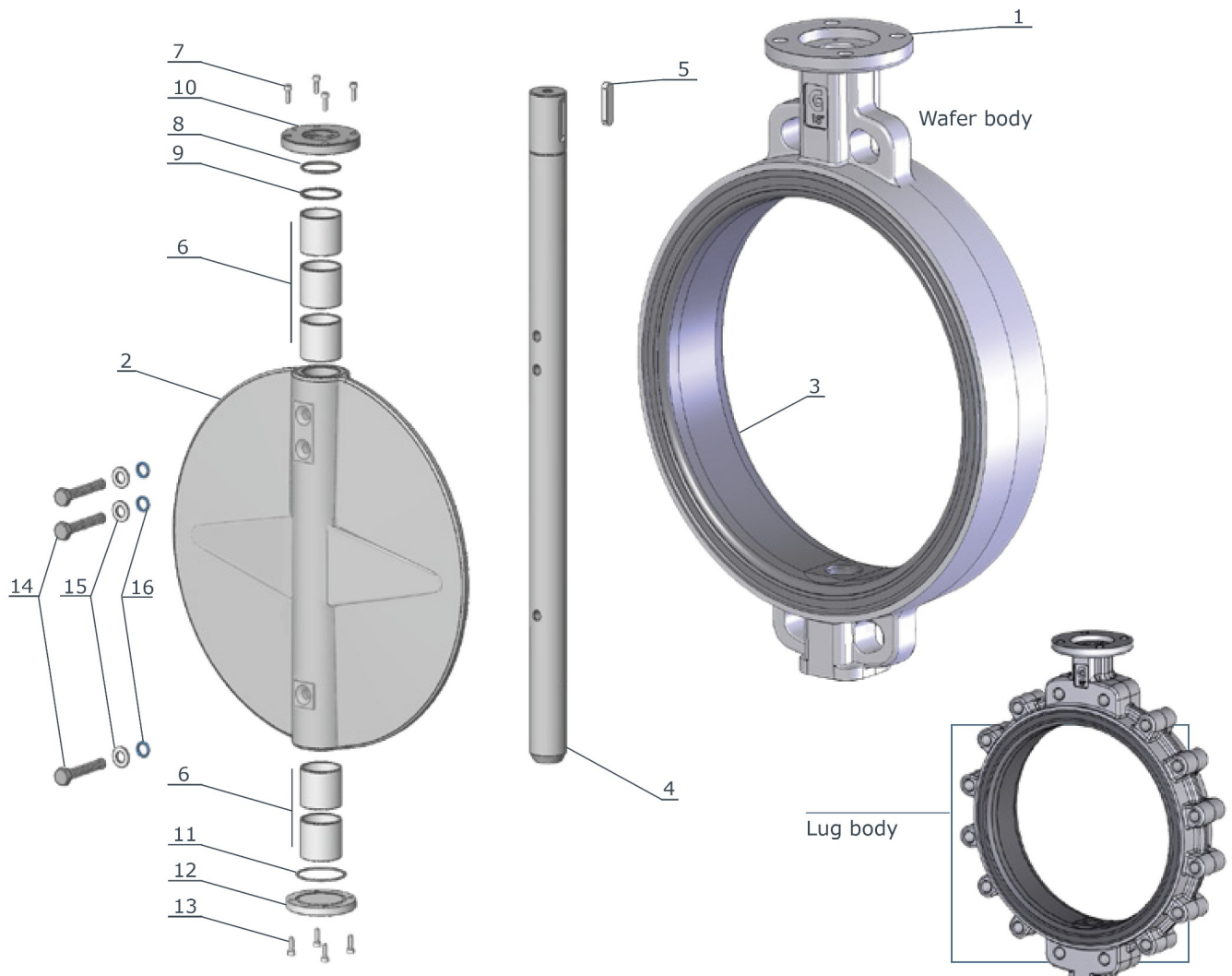


◇ parts included in spare kit

item	q.ty	part	material
1	1	body	<ul style="list-style-type: none"> ductile iron GS400 A216-WCB A352-LCB A351-CF8M (AISI 316) aluminium-bronze
2	1	disc	<ul style="list-style-type: none"> A351 - CF8M (AISI 316) aluminium-bronze Hastelloy® Monel®
3	1	body seat (vulcanized not replaceable)	<ul style="list-style-type: none"> NBR (BUNA®) EPDM EPDM HT FKM (VITON®)
4	1	shaft	<ul style="list-style-type: none"> AISI 430 AISI 316 (on request)

item	q.ty	part	material
5	2	screw	zinc plated steel
◇6	1	O.ring	NBR (BUNA®)
7	1	upper flange	zinc plated steel
◇8	1	O.ring	NBR (BUNA®)
◇9	5	bush	bronze
◇10	1	O.ring	NBR (BUNA®)
11	1	lower flange	zinc plated steel
12	2	screw	AISI 316
13	2	washer	AISI 316
◇14	2	O. ring	PTFE
15	1	key	steel C40
16	4	screw	zinc plated steel

BVKA - Wafer **BLKA** - Lug
 DN 450 - 500 • 18" - 20"
 PN 10-16 • ANSI 150

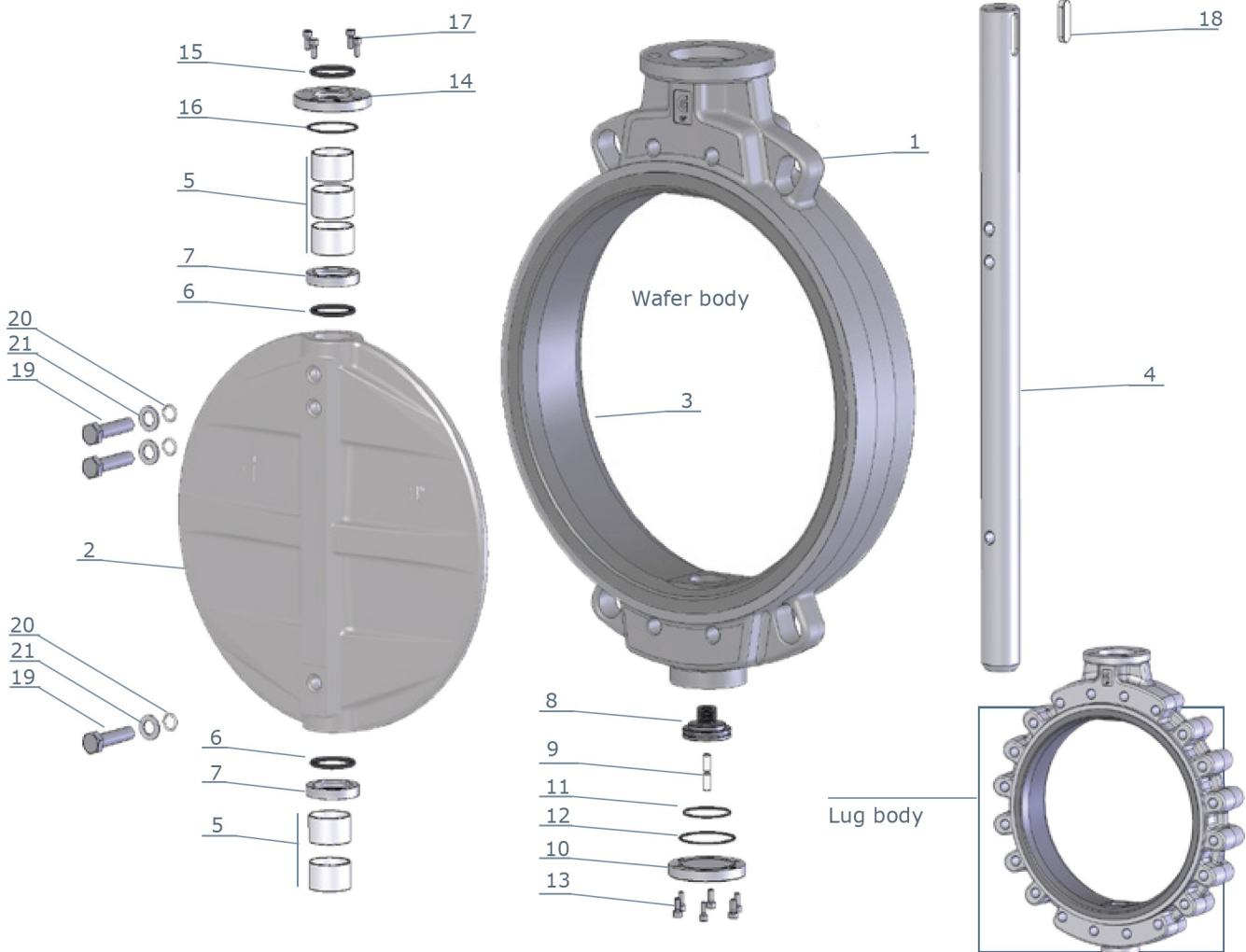


◇ parts included in spare kit

item	q.ty	part	material
1	1	body	<ul style="list-style-type: none"> ductile iron GS400 A216-WCB A352-LCB A351-CF8M (AISI 316) aluminium-bronze
2	1	disc	<ul style="list-style-type: none"> A351 - CF8M (AISI 316) aluminium-bronze Hastelloy® Monel®
3	1	body seat (vulcanized not replaceable)	<ul style="list-style-type: none"> NBR (BUNA®) EPDM EPDM HT FKM (VITON®)
4	1	shaft	<ul style="list-style-type: none"> AISI 430 AISI 316 (on request)
5	1	key	<ul style="list-style-type: none"> steel C40

item	q.ty	part	material
◇6	5	bush	<ul style="list-style-type: none"> steel + PTFE
7	4	screw	<ul style="list-style-type: none"> zinc plated steel
◇8	1	O.ring	<ul style="list-style-type: none"> NBR (BUNA®)
9	5	stop ring	<ul style="list-style-type: none"> steel
10	1	upper flange	<ul style="list-style-type: none"> zinc plated steel
◇11	1	O.ring	<ul style="list-style-type: none"> NBR (BUNA®)
12	1	lower flange	<ul style="list-style-type: none"> zinc plated steel
13	4	screw	<ul style="list-style-type: none"> steel
14	2	screw	<ul style="list-style-type: none"> AISI 316
15	2	washer	<ul style="list-style-type: none"> AISI 316
◇16	2	O. ring	<ul style="list-style-type: none"> PTFE

BVKA - Wafer BLKA - Lug
DN 600 - 800 • 24" - 32"
PN 16 • ANSI 150



◇ parts included in spare kit

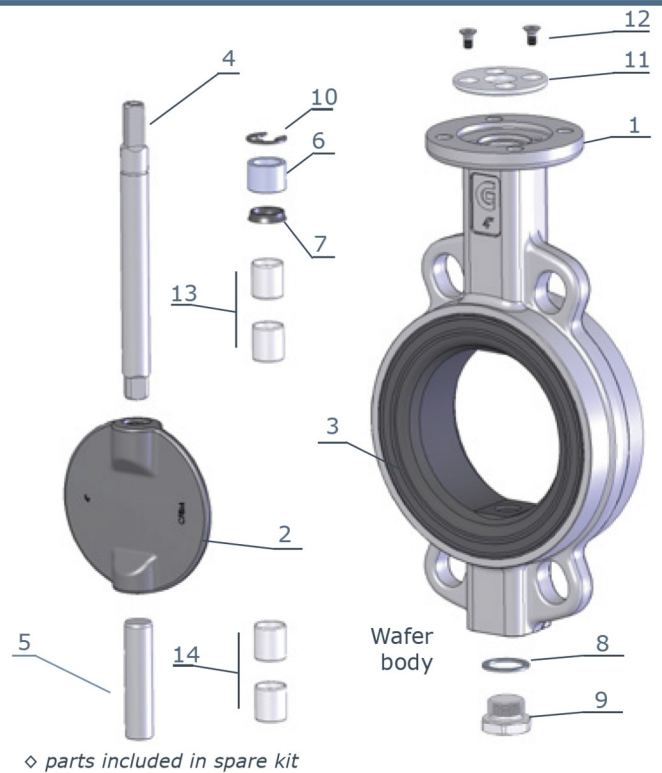
item	q.ty	part	material
1	1	body	<ul style="list-style-type: none"> ductile iron GS400 A216-WCB A352-LCB A351-CF8M (AISI 316) aluminium-bronze
2	1	disc	<ul style="list-style-type: none"> ductile iron GS400 A351 - CF8M (AISI 316) aluminium-bronze Hastelloy® Monel®
3	1	body seat (vulcanized not replaceable)	<ul style="list-style-type: none"> NBR (BUNA®) EPDM EPDM HT FKM (VITON®)
4	1	shaft	<ul style="list-style-type: none"> AISI 303 AISI 316 (on request)
◇5	5	bush	steel + PTFE
◇6	2	O.ring	<ul style="list-style-type: none"> NBR (BUNA®) FKM (VITON®) on request

item	q.ty	part	material
7	2	O.ring housing	AISI 316
8	1	shaft support	Bronze
9	2	adjusting screw	AISI 316
10	1	lower flange	zinc plated steel
◇11	1	O.ring	NBR (BUNA®)
◇12	1	O.ring	NBR (BUNA®)
13	6	screw	zinc plated steel
14	1	upper flange	zinc plated steel
◇15	1	O.ring	NBR (BUNA®)
◇16	1	O.ring	NBR (BUNA®)
17	4	screw	zinc plated steel
18	1	key	steel
19	3	screw	AISI 316
◇20	3	O.ring	PTFE
21	3	washer	AISI 316

Przepustnice procesowe / Butterfly valves Pmax: 20 – 25bar (2,0 – 2,5MPa)

BVKA - Wafer **BLKA** - Lug
 DN 50 - 100 • 2" - 4"
 PN 16-25 • ANSI 150

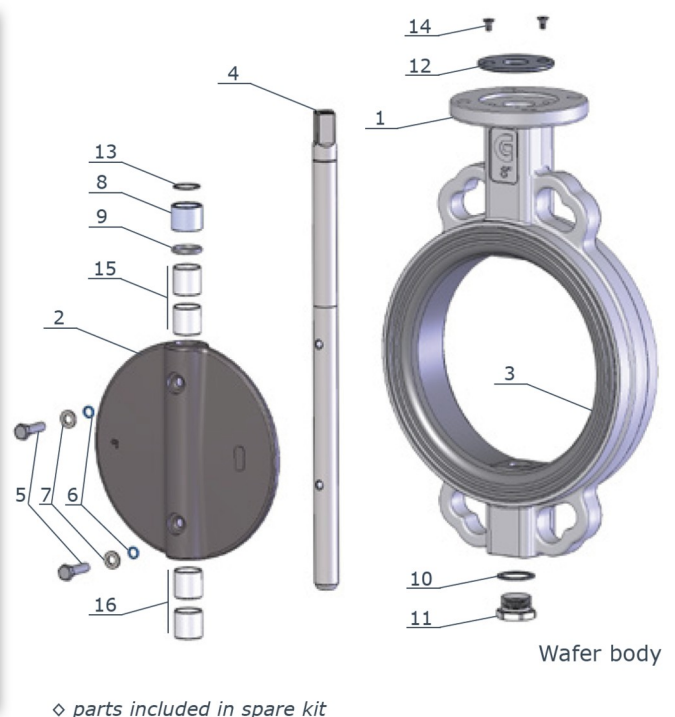
item	q.ty	part	material
1	1	body	<ul style="list-style-type: none"> ductile iron GS400 A216 - WCB A352 - LCB A351 - CF8M (AISI 316)
2	1	disc	<ul style="list-style-type: none"> A351 - CF8M (AISI 316) aluminium-bronze Hastelloy® Monel®
3	1	body seat (vulcanized not replaceable)	<ul style="list-style-type: none"> NBR (BUNA®) EPDM EPDM HT FKM (VITON®)
4	1	upper shaft	<ul style="list-style-type: none"> AISI 430 AISI 316 (on request)
5	1	lower shaft	<ul style="list-style-type: none"> AISI 430 AISI 316 (on request)
◇6	1	bush	bronze
◇7	1	shaft packing	<ul style="list-style-type: none"> NBR (BUNA®) FKM (VITON®) on req.
8	1	plug packing	aluminium
9	1	threaded plug	zinc plated steel
10	1	stop ring	steel
11	1	upper flange	IXEF (DN 50-100)
12	2	screw	zinc plated steel
◇13	2	upper bush	steel + PTFE
◇14	2	lower bush	steel + PTFE



BVKX - Wafer
 DN 125 - 250 • 5" - 10"
 PN 16-25 • ANSI 150

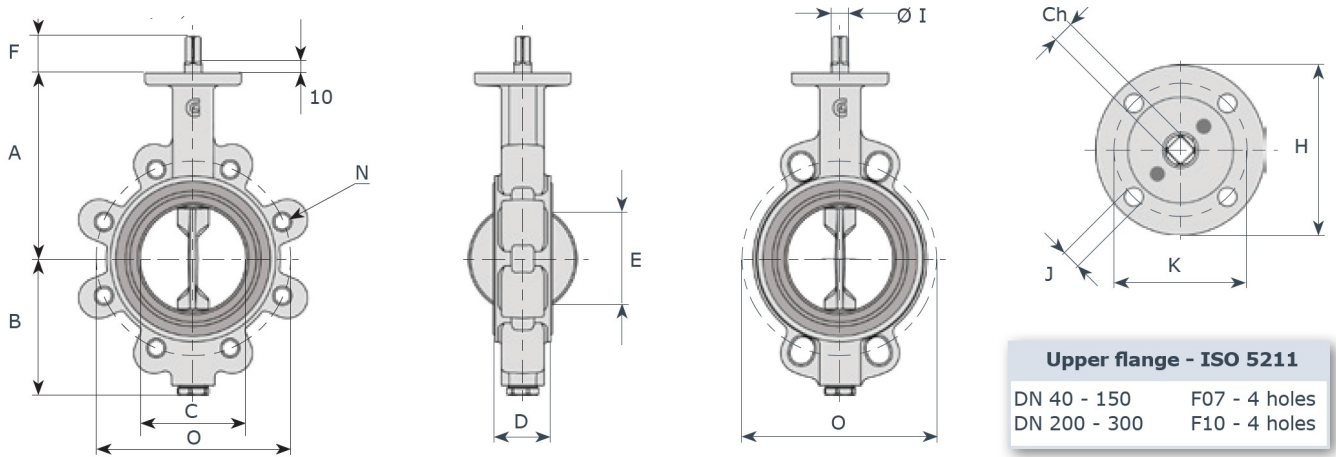
item	q.ty	part	material
1	1	body	<ul style="list-style-type: none"> ductile iron GS400
2	1	disc	<ul style="list-style-type: none"> A351-CF8M (AISI 316) aluminium-bronze Hastelloy® Monel®
3	1	body seat (vulcanized not replaceable)	<ul style="list-style-type: none"> NBR (BUNA®) EPDM EPDM HT FKM (VITON®)
4	1	shaft	<ul style="list-style-type: none"> AISI 430 AISI 316 (on request)
5	2	screw	AISI 316
◇6	2	O.Ring	PTFE
7	2	washer	AISI 316
◇8	1	bush	bronze
◇9	1	shaft packing	<ul style="list-style-type: none"> NBR (BUNA®) FKM (VITON®) (on req.)
10	1	plug packing	aluminium
11	1	threaded plug	zinc plated steel
12	1	upper flange	<ul style="list-style-type: none"> IXEF (DN 125-150) aluminium (DN 200-250)
13	1	stop ring	steel
14	2	screw	zinc plated steel
◇15	2	upper bush	steel + PTFE
◇16	2	lower bush	steel + PTFE

BLKX - Lug
 DN 125 - 200 • 5" - 8"
 PN 16-25 • ANSI 150



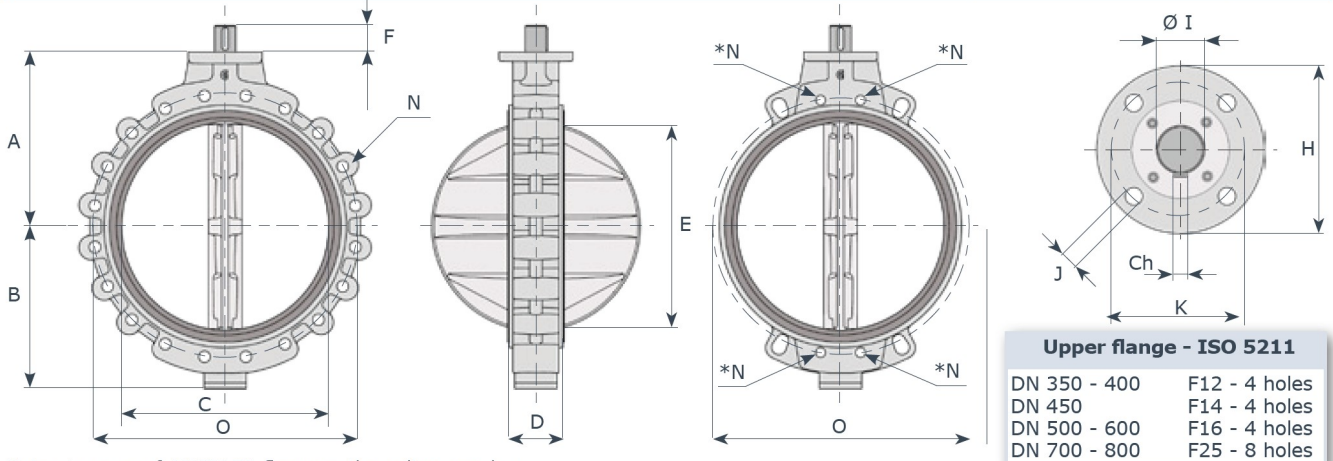
Przepustnice procesowe / Butterfly valves
Pmax: 20 – 25bar (2,0 – 2,5MPa)

BVKA - Wafer BLKA - Lug



Note: in case of ANSI150 flanges, threading can be: 1 1/2" ÷ 12" ANSI B1.1UNC2B

DN	A	B	C	D	E	F	Ø I	Ch	H	K	J	Kg															
												PN 6			PN 10			PN 16			ANSI 150			PD-KI		KA	
												N	n.	O	N	n.	O	N	n.	O	N	n.	O	W	L	W	L
40	130	75	49	33	36	34	14	11	90	70	9	-	-	-	M16	4	110	M16	4	110	M14	4	98.4	2.2	3	2.2	3
50	138	81	55	43	35	34	14	11	90	70	9	M12	4	110	M16	4	125	M16	4	125	M16	4	120.6	2.8	3.7	2.8	3.7
65	144	98	68	46	50	34	14	11	90	70	9	M12	4	130	M16	8	145	M16	8	145	M16	4	139.7	3.7	5.3	3.7	5.3
80	158	110	81	46	67	34	14	11	90	70	9	M16	4	150	M16	8	160	M16	8	160	M16	4	152.4	4	6.1	4	6.1
100	173	128	101	52	87	34	16	11	90	70	9	M16	4	170	M16	8	180	M16	8	180	M16	8	190.5	6	8.1	6	8.1
125	186	140	126	56	113	34	18	14	90	70	9	M16	8	200	M16	8	210	M16	8	210	M20	8	215.9	7.2	9.7	7.2	9.7
150	202	155	150	56	140	34	18	14	90	70	9	M16	8	225	M20	8	240	M20	8	240	M20	8	241.3	9.1	11.5	9.5	11.8
200	240	190	200	60	191	38	22	17	125	102	11	M16	8	280	M20	8	295	M20	12	295	M20	8	298.4	14	27	16	29
250	270	220	250	68	241	38	30	22	125	102	11	M16	12	335	M20	12	350	M24	12	355	M22	12	361.9	22	34	26	38
300	300	247	298	78	289	38	30	22	125	102	11	M20	12	395	M20	12	400	M24	12	410	M22	12	431.8	32	49	36	53

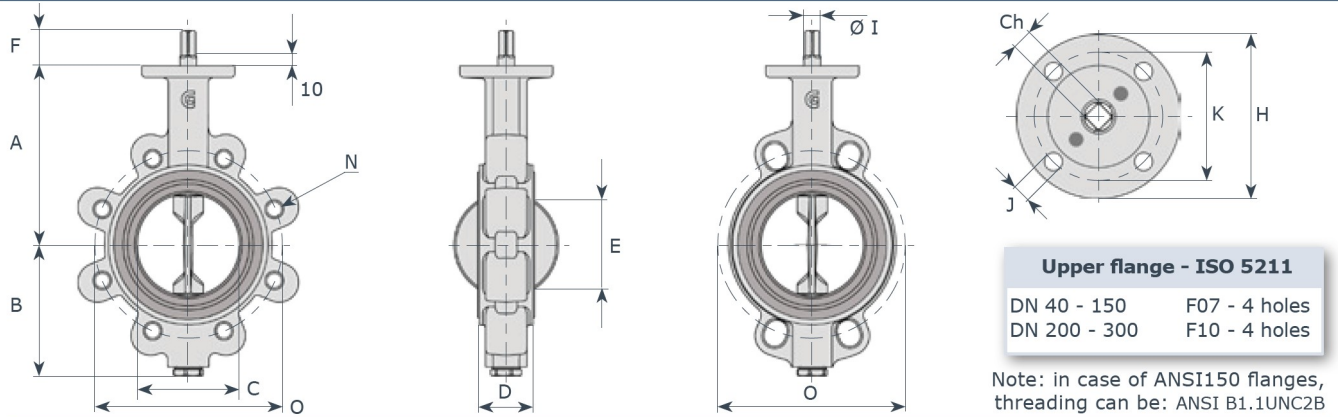


Note: in case of ANSI150 flanges, threading can be:
 14" ANSI B1.1UNC2B
 16" ÷ 32" ANSI B1.1-8 UNC2B

*Note: WAFER bodies DN 600 - 700 - 800 have 4 holes N threaded as relevant LUG version

DN	A	B	C	D	E	F	Ø I	Ch	H	K	J	Kg															
												PN 6			PN 10			PN 16			ANSI 150			PD-KI		KA	
												N	n.	O	N	n.	O	N	n.	O	N	n.	O	W	L	W	L
350	330	280	341	78	332	60	35	10	150	125	14	M20	12	445	M20	16	460	M24	16	470	M24	12	476.2	42	62	55	75
400	355	305	390	102	376	60	40	12	150	125	14	M20	16	495	M24	16	515	M27	16	525	M27	16	539.7	76	90	94	104
450	400	343	444	114	430	60	45	12	175	140	18	M20	16	550	M24	20	565	M27	20	585	M27	16	577.8	110	170	135	195
500	422	366	495	127	479	60	45	12	210	165	22	M20	20	600	M24	20	620	M30	20	650	M27	20	635.0	140	180	165	205
600	495	460	595	154	575	75	60	18	210	165	22	M24	20	705	M27	20	725	M33	20	770	M33	20	749.3	220	290	220	290
700	550	506	690	165	670	90	70	20	300	254	18	M24	24	810	M27	24	840	M33	24	840	M33	28	863.6	300	415	300	415
800	640	590	780	190	757	100	80	22	300	254	18	M27	24	920	M30	24	950	M36	24	950	M39	28	977.9	444	570	465	570

BVKX - Wafer BLKX - Lug



DN	"	A	B	C	D	E	F	Ø I	Ch	H	K	J	PN 25			Kg.	
													N	n.	O	wafer	lug
50	2	138	81	55	43	35	34	14	11	90	70	9	M16	4	125	2.8	3.7
65	2 ^{1/2}	144	98	68	46	50	34	14	11	90	70	9	M16	8	145	3.7	5.3
80	3	158	110	81	46	67	34	14	11	90	70	9	M16	8	160	4	6.1
100	4	173	128	101	52	87	34	16	11	90	70	9	M20	8	190	6	8.1
125	5	186	140	126	56	113	34	18	14	90	70	9	M24	8	220	7.2	9.7
150	6	202	155	150	56	140	34	18	14	90	70	9	M24	8	250	9.5	11.8
200	8	240	190	200	60	191	38	22	17	125	102	11	M24	12	310	16	29
250	10	270	220	250	68	241	38	30	22	125	102	11	--	--	370	25	--

NOTES:

The valves presented in this catalog are manufactured in the EU by Ghibson Italia srl. according to specifications:

